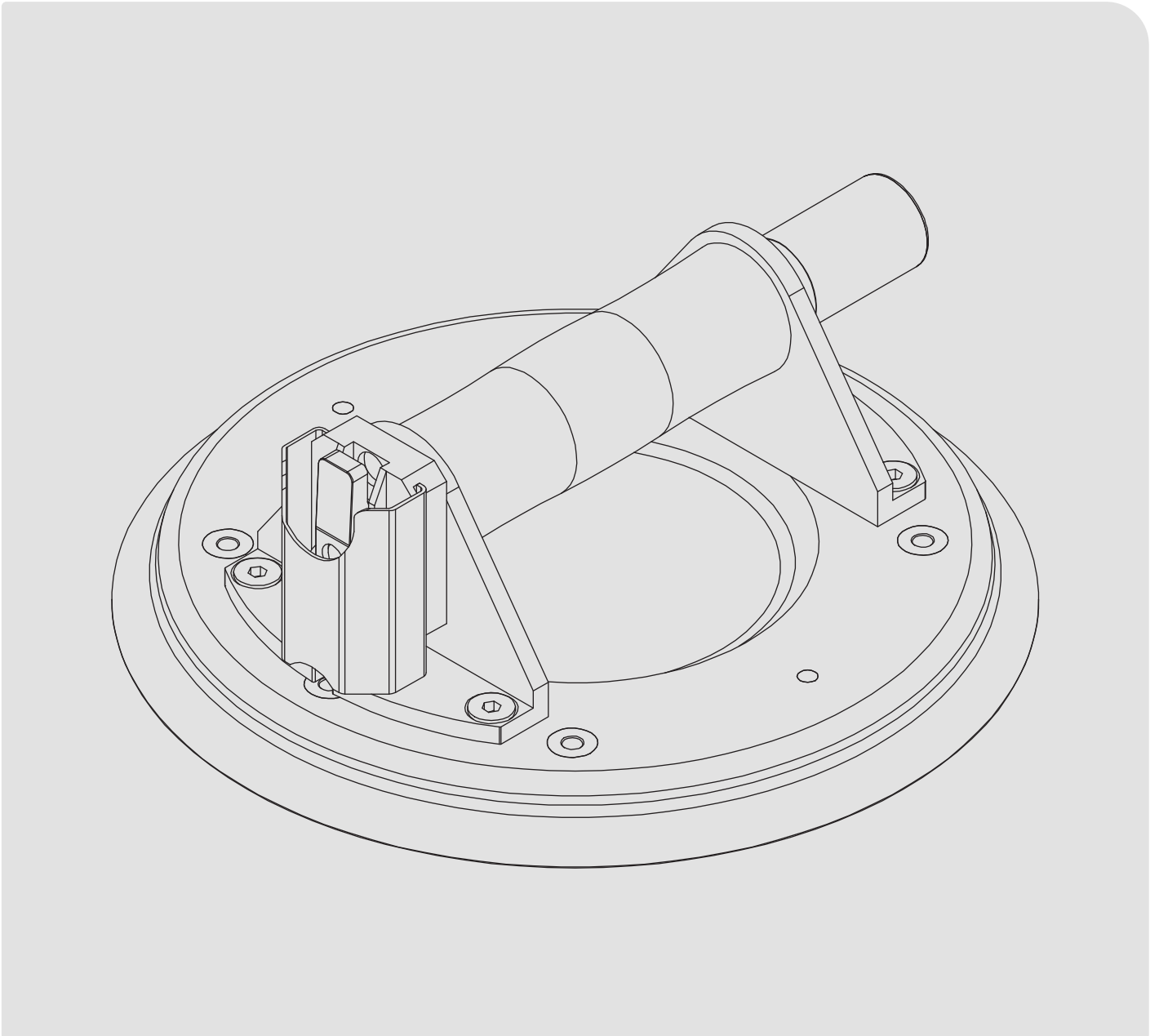


HAND VACUUM CUP LIFTER

HVC01



CREATED BY

AARDWOLF INDUSTRIES
Marketing Department

Published on:
November 2024

Contact us:  info@aardwolf.com.au
 www.aardwolf.com.au



INDEX

Page

01 OVERVIEW

Introduction	04
Technical data	05

02 SAFETY INSTRUCTIONS

General	07
Warnings	07

03 USER INSTRUCTIONS

08

04 MAINTENANCE

08

05 TROUBLESHOOT

09

06 WARRANTY

10

07 AARDWOLF SERVICES

11

Dear Customer,

Thank you for choosing the **Hand Vacuum Cup Lifter – HVC01**. Please read the manual carefully before use and keep it readily accessible beside the Lifter at all times.

If you have any questions, require spare parts, or need to report any issues, please contact the Aardwolf distributor at your location, provide the product code and serial number, and send them to **info@aardwolf.com.au** for assistance.

We hope this advanced tool meets your needs and exceeds your expectations.

Best regards,
Aardwolf Industries

 info@aardwolf.com.au

 www.aardwolf.com.au

01 OVERVIEW

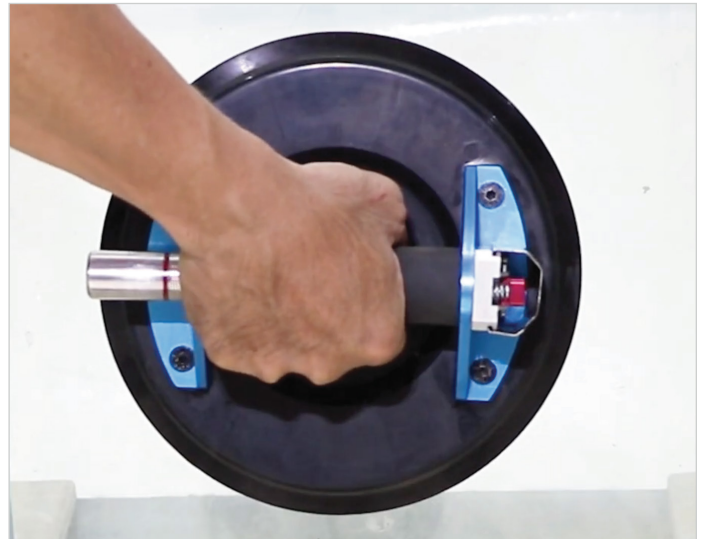


INTRODUCTION

The Aardwolf Hand Vacuum Cup Lifter (HVC01) is a reliable and efficient tool designed for handling smooth, non-porous surfaces. Constructed from high-quality aluminum and featuring an ergonomic handle, it enhances lifting tasks in various industries, including stone, glass, and metal. Its compact, lightweight design makes it easy to maneuver, while its rust-resistant components ensure durability in wet conditions.

Key features

- ✦ **Strong Suction Power**
Supports loads up to 100 kgs (220 lbs), with a 220 mm (8.7") vacuum cup.
- ✦ **Durable Construction**
Made from solid aluminum, resistant to rust and wear.
- ✦ **Versatile Use**
Suitable for smooth, flat surfaces, such as tiles, glass, and stone.
- ✦ **Protective Carrying Case**
Comes with a case for secure storage and transport.





TECHNICAL DATA

STRUCTURE

VALVE LEVER

Ensures instant release with no danger of after sticking

ALL METAL, RUGGED, RUST RESISTANT PARTS

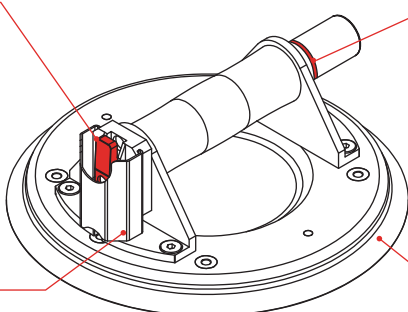
To withstand wet & humid conditions

RED-LINE INDICATOR

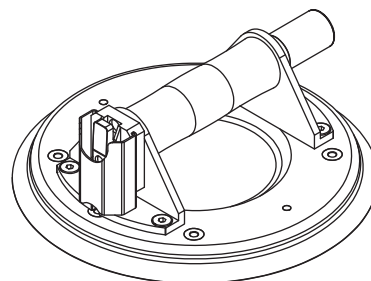
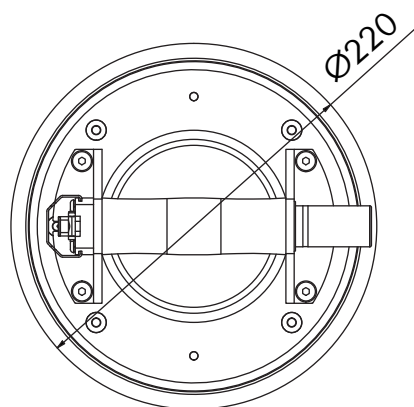
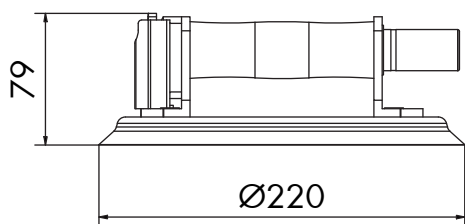
Warns of approaching vacuum loss and indicates that the vacuum needs to be re-pump

VACUUM CUP SIZE 220 MM (8.7")

Provides a horizontal lifting capacity of 100 kg (220 lb)



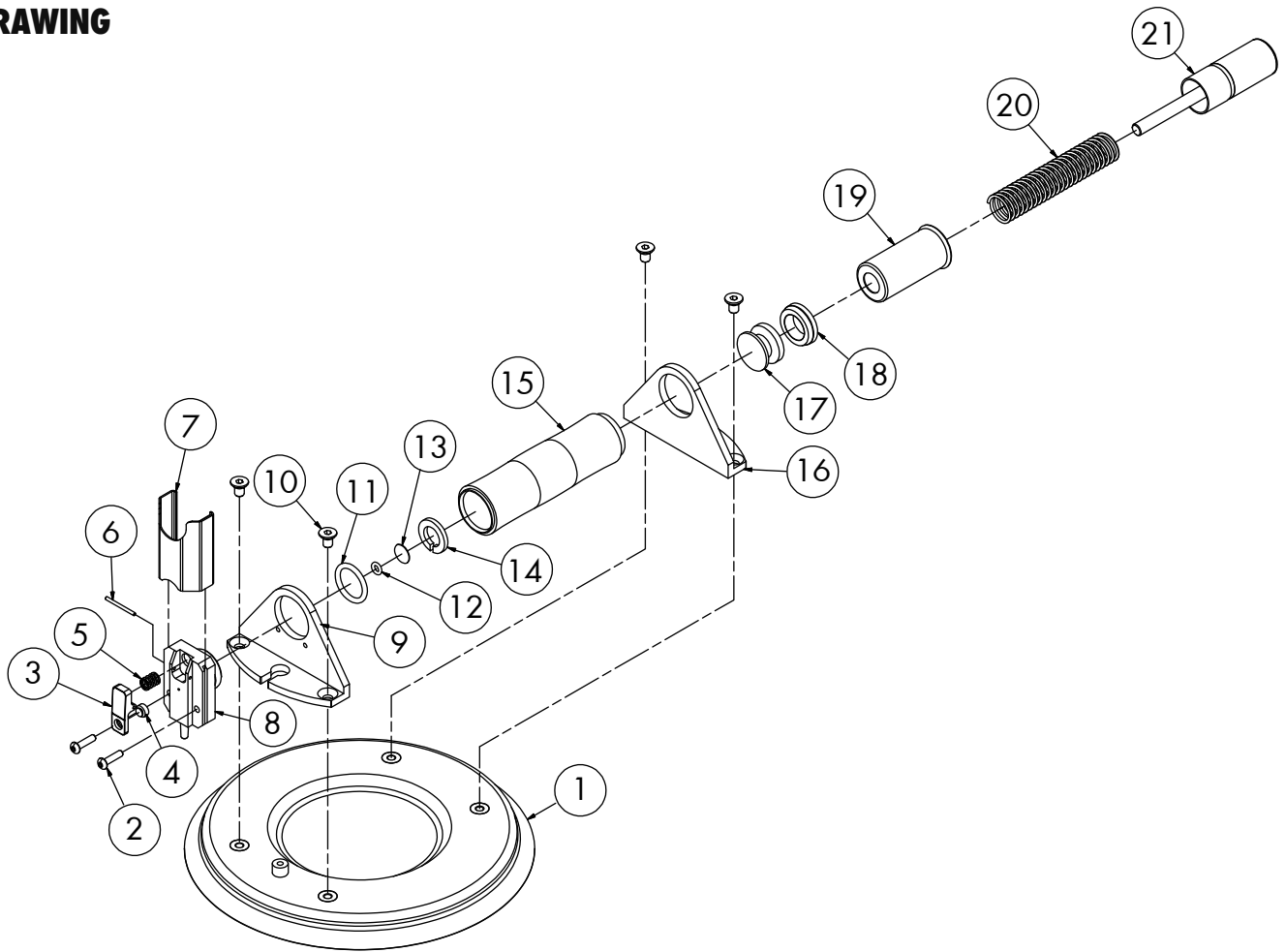
DIMENSIONS



SPECIFICATIONS

HVC01	METRIC	IMPERIAL
Cup diameter	220 mm	8.7 in
Working load limit	100 kg	220 lb
Net weight	1.3 kg	2.9 lb

DRAWING



PARTS LIST

POS.	DESCRIPTION	Q'TY	POS.	DESCRIPTION	Q'TY
1	Vacuum Cup Ø220	1	11	Oring Ø27x3	1
2	Hexagon socket button head screw M4x15	2	12	Oring Ø8.5x3	1
3	Release lever	1	13	Rubber diaphragm	1
4	Release valve	1	14	Looking piece	1
5	Compressor spring 1	1	15	Cylinder with handle	1
6	Pin	1	16	Back support bracket	1
7	Cover	1	17	Piston	1
8	Valve base	1	18	Air seal	1
9	Front Housing	1	19	Pushing handle	1
10	Hexagon socket countersunk head screw M6x10	4	20	Compressor spring 2	1
			21	Pump handle	1

02 SAFETY INSTRUCTIONS



GENERAL

- ⚠ Carefully read and understand this manual before using the Hand Vacuum Cup Lifter.
- ⚠ Ensure all parts, especially the vacuum cup and bolts, are in good condition before each use.
- ⚠ Regularly inspect the equipment for any damage or wear, especially the vacuum cup and handle.
- ⚠ Only lift materials under the 100 kgs (220 lbs) capacity.
- ⚠ Always use this tool on smooth, flat, dry, clean, and non-porous surfaces.
- ⚠ Use the Lifter only as a hand-lifting tool for short-term handling.



WARNINGS

✓ ALWAYS

Ensure the cup and material surfaces are free from dirt, oil, or debris before using.

Always check that the Red-line Indicator needle is fully hidden before lifting.

Store the tool in a dry, ventilated place, away from high heat and humidity.

Use appropriate personal protective equipment (PPE) as necessary.

✗ NEVER

Use harsh chemicals like solvents or gasoline to clean the vacuum cup.

Lifting any load that exceeds the specified weight capacity of 100 kgs (220 lbs).

Lift or carry loads above or over personnel.

Use the tool as a suspension tool for hoisting loads or to suspend or secure persons.

Touch the vacuum release upon lifting load.

Obstruct the plunger when in use.

03 USER INSTRUCTIONS

1 Attaching the Lifter

- Position the vacuum cup securely on the center of the material.
- Pump the plunger until the needle Red-line Indicator is hidden inside the cylinder, signaling a secure attachment.
- Double-check by slightly tugging on the handle to ensure the suction cup is correctly sealed onto the material.

2 Lifting and Moving

Carefully lift and move the material, always keeping it centered on the vacuum cup.

3 Releasing the Material

- Once the material is positioned, press the release lever to break the vacuum seal.
- Gently remove the Hand Vacuum Cup Lifter from the surface.

04 MAINTENANCE

Regular Inspections

- ✂ Inspect the vacuum cup, handle, and all parts for damage, wear, or dirt before each use.
- ✂ Check that bolts, the vacuum cup, the release lever, and other components are secure.

Cleaning

- ✂ Clean the vacuum cup and all parts with a soft cloth. Avoid using harsh chemicals, solvents, or lubricants, as they can damage the material.
- ✂ Ensure that all surfaces are free of debris before storing the tool.

Replacement Parts

- ✂ Replace the vacuum cup if it shows signs of aging, such as cuts, cracks, or loss of suction.
- ✂ Always use original Aardwolf replacement parts for repairs and maintenance.

Storage

- ✂ Do not lay the Lifter face down on rough or contaminated surfaces, as this can damage the vacuum cup.
- ✂ Store the Lifter in a cool, dry place, away from direct sunlight, high heat, or humidity.
- ✂ Use the protective carrying case provided to prevent damage during storage or transport.

05 TROUBLESHOOT

PROBLEM	POSSIBLE CAUSES	SOLUTIONS
Vacuum Cup Fails To Hold	Cuts or rough edges on vacuum cup	Inspect the vacuum cup for cracks, cuts, or wear. Replace it if damaged, and store the Lifter in a clean, dry place when not in use.
	The material surface or the cup might be dirty, oily, or the surface may not be smooth enough.	Clean both the cup and the material surface with a soft cloth. Ensure the surface is smooth, flat, and non-porous.
	Debris in the pump mechanism	Clean pump components and re-lubricate carefully, avoiding any lubricant from dripping onto the vacuum cup.
	Release valve o-ring is leaking	Tighten screws, clean, or replace the o-ring.
Plunger Is Hard To Pump	The plunger mechanism may have dirt buildup or lack proper function.	Clean and re-lubricate pump, ensuring no lubricant drips onto the vacuum cup; replace if damaged.
Constant Pumping Needed	Cuts on cup, debris, or leaking o-ring	Thoroughly clean and re-lubricate, keeping lubricant away from the vacuum cup; replace any damaged parts.

Note: For serious issues or additional support, please get in touch with Aardwolf Technician Support at info@aardwolf.com.au. Our experts are ready to assist with any complex problems to ensure your equipment operates smoothly.

06 WARRANTY



PRODUCT CHECK AND REPORTING

Upon receiving the Lifter, the buyer should verify, based on the spare parts list and attached spare drawings, that all spare parts are intact and not lost during shipment. Any damages or losses must be officially reported to Aardwolf Industries within eight days of purchase.



WARRANTY INFORMATION

The Lifter comes with a 12-month warranty from the date of purchase, following Aardwolf Industries' warranty policy.



WARRANTY EXCLUSIONS

The warranty coverage does not apply if:

- ✘ The user fails to follow the instructions provided in the manual.
- ✘ Damage results from inadequate maintenance or inspections.
- ✘ The maximum working load limit of 100 kgs (220 lbs) is exceeded.
- ✘ Improper storage or usage causes damage.
- ✘ The user makes unauthorized repairs.
- ✘ Non-original or unauthorized spare parts are used.



DECLARATION OF CONFORMITY

We declare that the Lifter conforms to the following standards:

- ✘ The Machinery Directive 2006/42/EC
- ✘ Australian Standard 4991-2004

Note: *It is the user's responsibility to comply with state or local laws. The end user is responsible for using the equipment safely, in the manner it is designed for, and within the unit's rated capacity.*

07 AARDWOLF SERVICES



GLOBAL CONTACT

Our sales network of local field representatives, international subsidiaries and trade partners ensures quick and competent information and consultation in 6 countries worldwide.

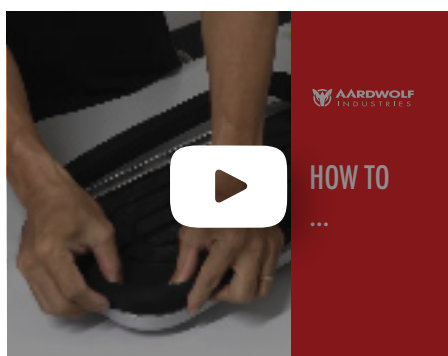
 www.aardwolf.com.au



ONLINE DOCUMENTATION


Conveniently download catalogs and get comprehensive information about our products and services.

 www.aardwolf.com.au/catalog.php



AARDWOLF PRODUCT VIDEOS

In short, easy-to-understand videos we explain the comprehensive functions offered by our products on our Youtube Channel. Take a look, it's worth it!

 www.youtube.com/@Aardwolf.Industries

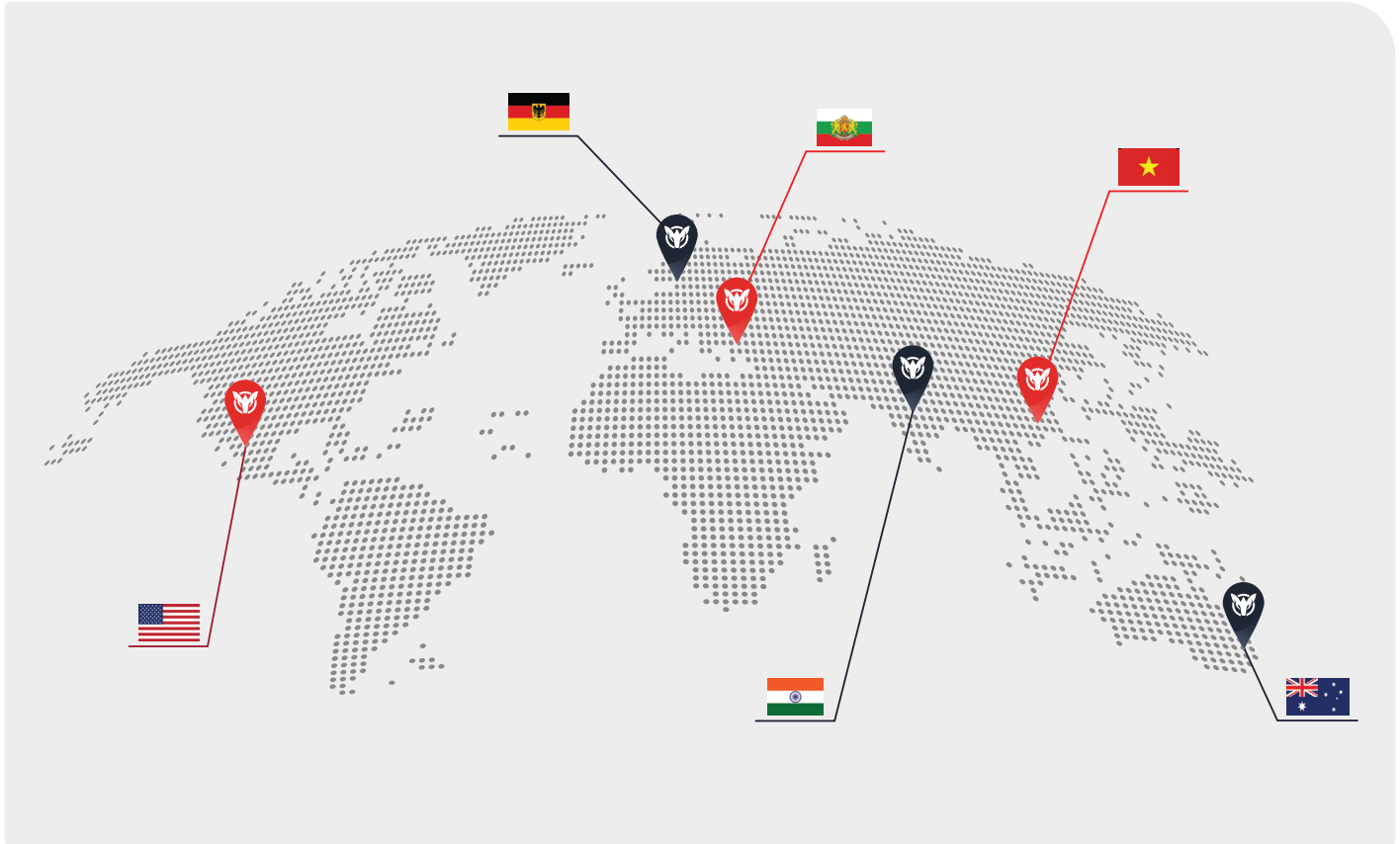


SCAN HERE

To visit our Youtube Channel

WE PROVIDE

Simple, Reliable, Cost Saving And
Awesome Ideas For Your Business



FIND THE NEAREST AARDWOLF SERVICE CENTER

AUSTRALIA

1/5 Stanton Road, Seven Hills NSW 2147
Tel: 02 9838 8427
Email: enquiries@aardwolfaustralia.com
Web: www.aardwolfaustralia.com

BULGARIA

Str.Usta Kolio Ficheto 33
Tel: +359 887 933 754
Email: adrian@toolrange.com

GERMANY

Schulze-Delitzsch-Weg 2, 33175 Bad Lippspringe
Tel: 05252 8382830
Email: sales@toolrange.com.de

INDIA

Harmara Road, Industrial Area, Madanganj, Kishangarh,
District- Ajmer, Rajasthan India 305801
Tel: +91 73000 68444
Email: sales@aardwolf.co.in
Web: www.aardwolf.co.in

USA

9401 Norwalk Blvd, Santa Fe Springs, CA 90670
Tel: (562) 553-6050
Email: sales@aardwolfusa.com
Web: www.aardwolfusa.com

VIETNAM

1B, An Phu, Thuan An City, Binh Duong Province, Vietnam
Tel: +84 931 707 793
Email: info@aardwolf.com.au
Web: www.aardwolf.com.au

