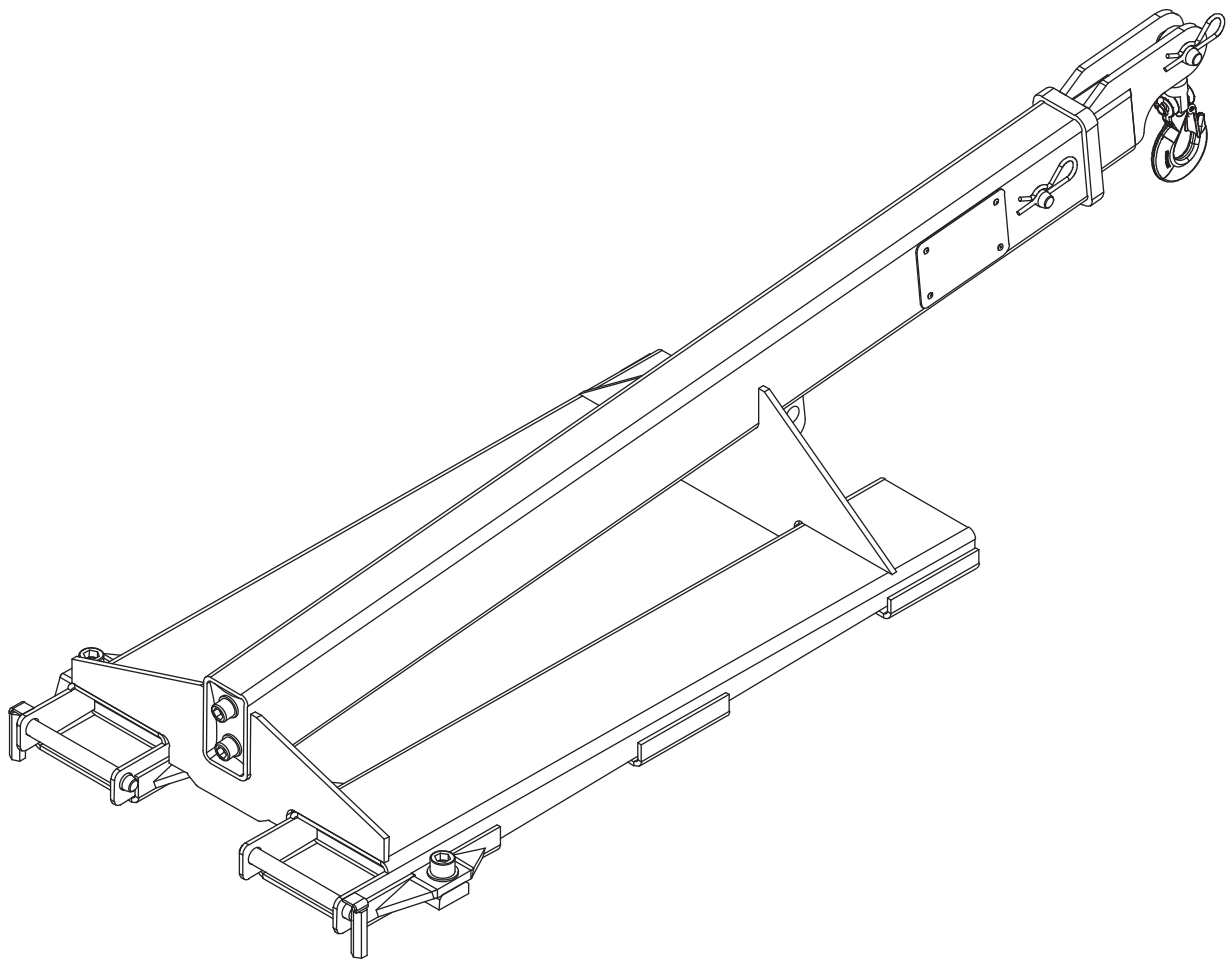


AARDWOLF FORKLIFT BOOM

FB2-3580



CREATED BY

AARDWOLF INDUSTRIES
Marketing Department

Published on:
June 2025

Contact us:  info@aardwolf.com.au
 www.aardwolf.com.au



INDEX

Page

01 OVERVIEW

Introduction	04
Technical data	05

02 SAFETY INSTRUCTIONS

General guidelines	08
Warnings	08

03 USER INSTRUCTIONS

09

04 MAINTENANCE

10

05 WARRANTY

11

Dear Customer,

Thank you for choosing the **Aardwolf Forklift Boom FB2-3580**.

Please read the manual carefully before use and keep it readily accessible beside the Forklift Boom at all times.

If you have any questions, require spare parts, or need to report any issues, please contact the Aardwolf distributor at your location, provide the product code and serial number, and send them to **info@aardwolf.com.au** for assistance.

We hope this advanced tool meets your needs and exceeds your expectations.

Best regards,

Aardwolf Industries

 info@aardwolf.com.au

 www.aardwolf.com.au

01 OVERVIEW



INTRODUCTION

The Aardwolf Forklift Boom FB2-3580 is a robust telescoping attachment designed for forklift trucks ranging from 2 to 5 tonnes. Constructed from high-grade Australian rectangular tube steel (AS1163-450 LO), the boom extends in five increments to suit various lifting applications. Its lifting capacity varies by extension length, with a maximum load of up to 3 tonnes. For secure and stable mounting, the boom is fastened to the forklift using locking bolts and restraint pins. A built-in safety mechanism prevents the inner boom from over-extending, enhancing operational safety during use.

Key features

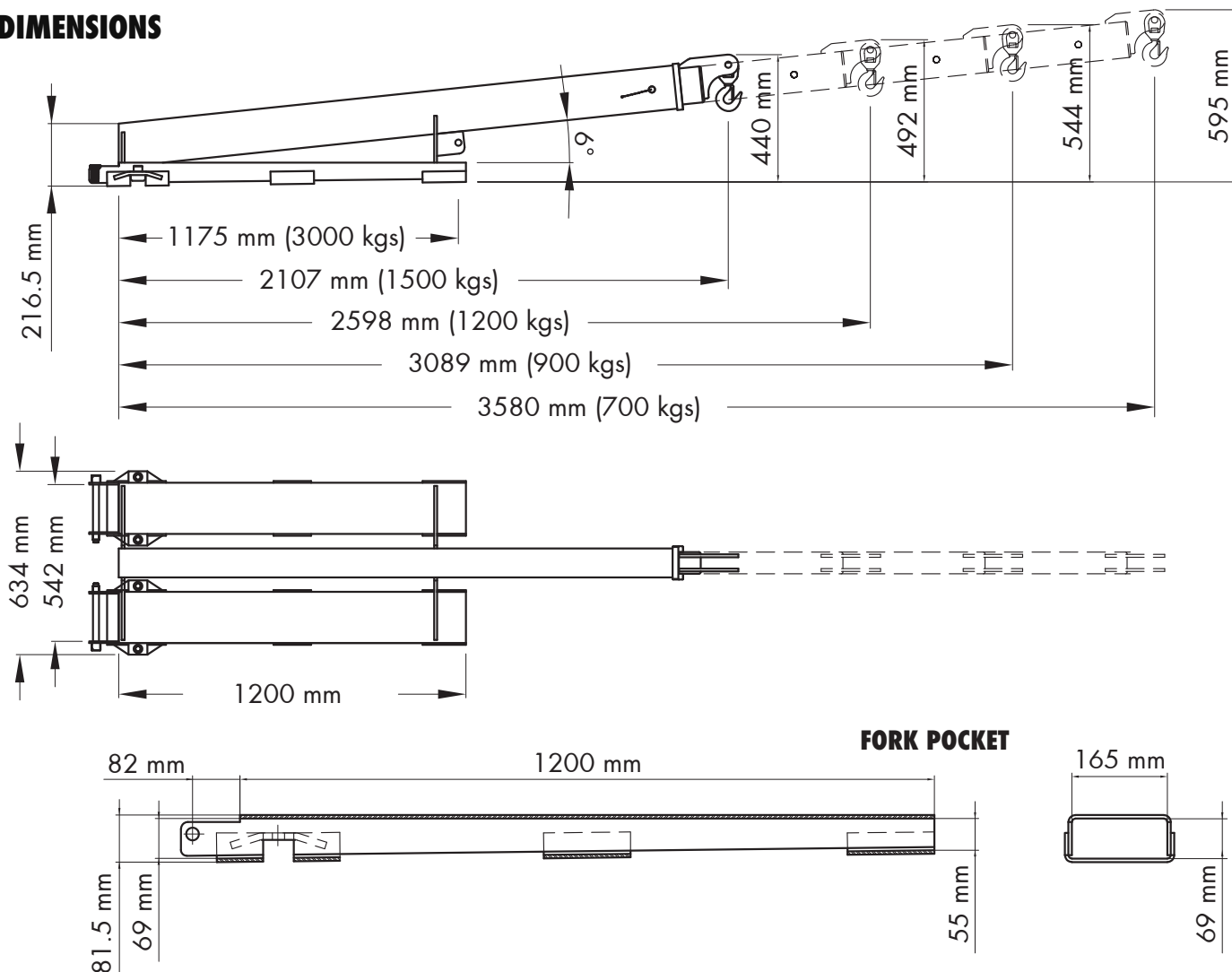
- ✦ **Adjustable reach**
Telescoping boom with five extension increments for flexible load positioning (1,175 mm - 3,580 mm).
- ✦ **Variable load capacity**
Five hook positions support loads ranging from 3,000 kg (fully retracted) to 700 kg (fully extended), depending on the boom length and hook position.
- ✦ **Heavy-duty construction**
Made from AS1163-450 LO rectangular tube steel.
- ✦ **Secure mounting**
Fastens to forklift blades with locking bolts and restraint pins.
- ✦ **Built-in safety mechanism**
Prevents over-extension of the inner boom.
- ✦ **Wide compatibility**
Suitable for 2-5 tonne forklift trucks.



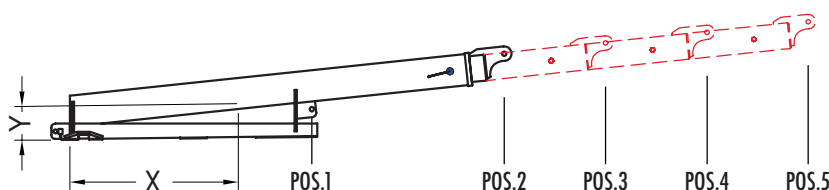


TECHNICAL DATA

DIMENSIONS



CENTER OF GRAVITY TABLE (AT 6° BOOM ANGLE)

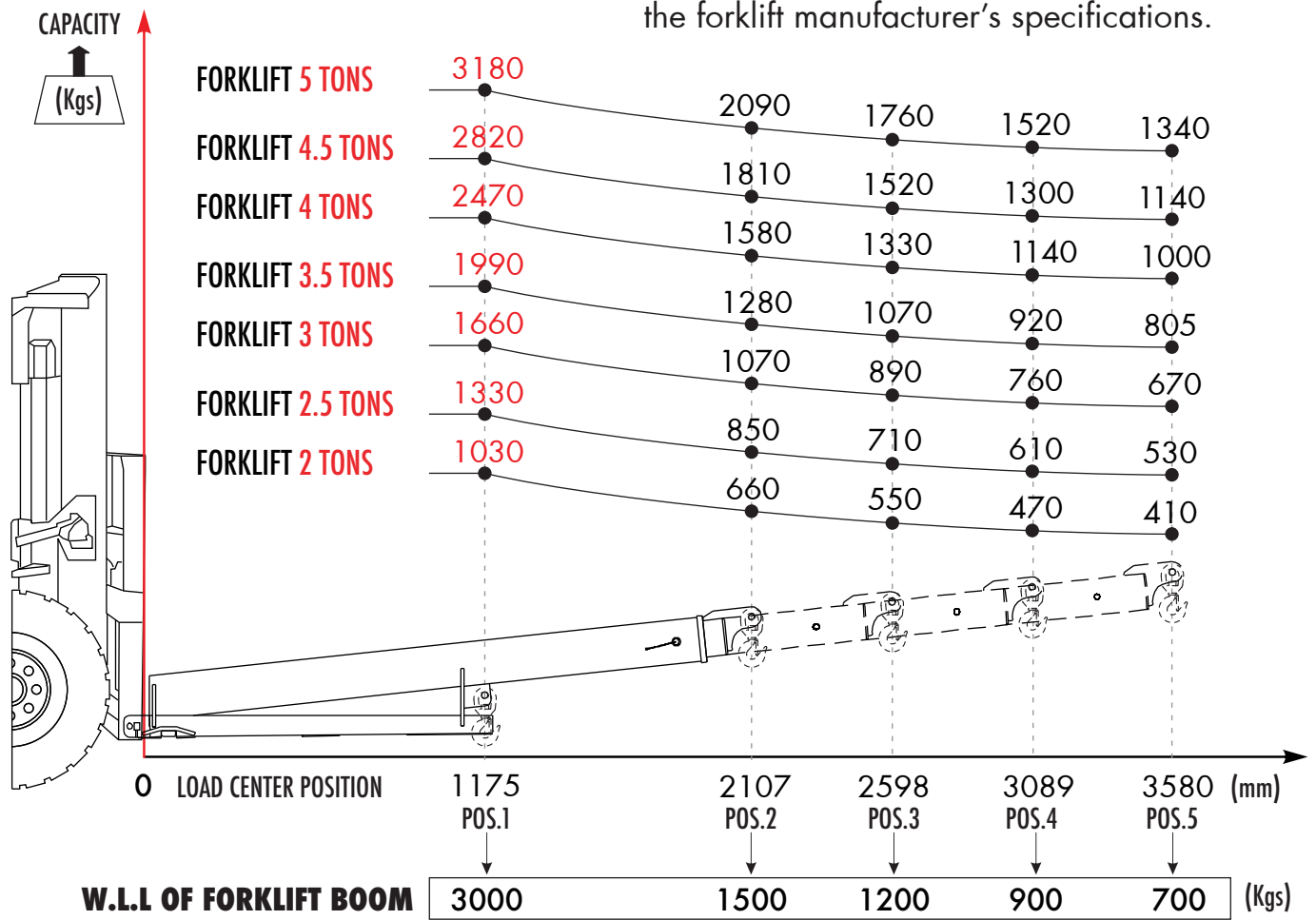


Degree	Hook Position	Capacity Kgs (Lbs)	Center of Gravity	
			X mm (Inch)	Y mm (Inch)
6°	POS.1	3000 (6600)	809.5 (2'8")	160 (6")
	POS.2	1500 (3300)	809.5 (2'8")	160 (6")
	POS.3	1200 (2640)	938.5 (3'1")	174 (7")
	POS.4	900 (1980)	1067.5 (3'6")	188 (7")
	POS.5	700 (1540)	1196.5 (3'11")	202 (8")

LOAD CAPACITY CHART

NOTE:

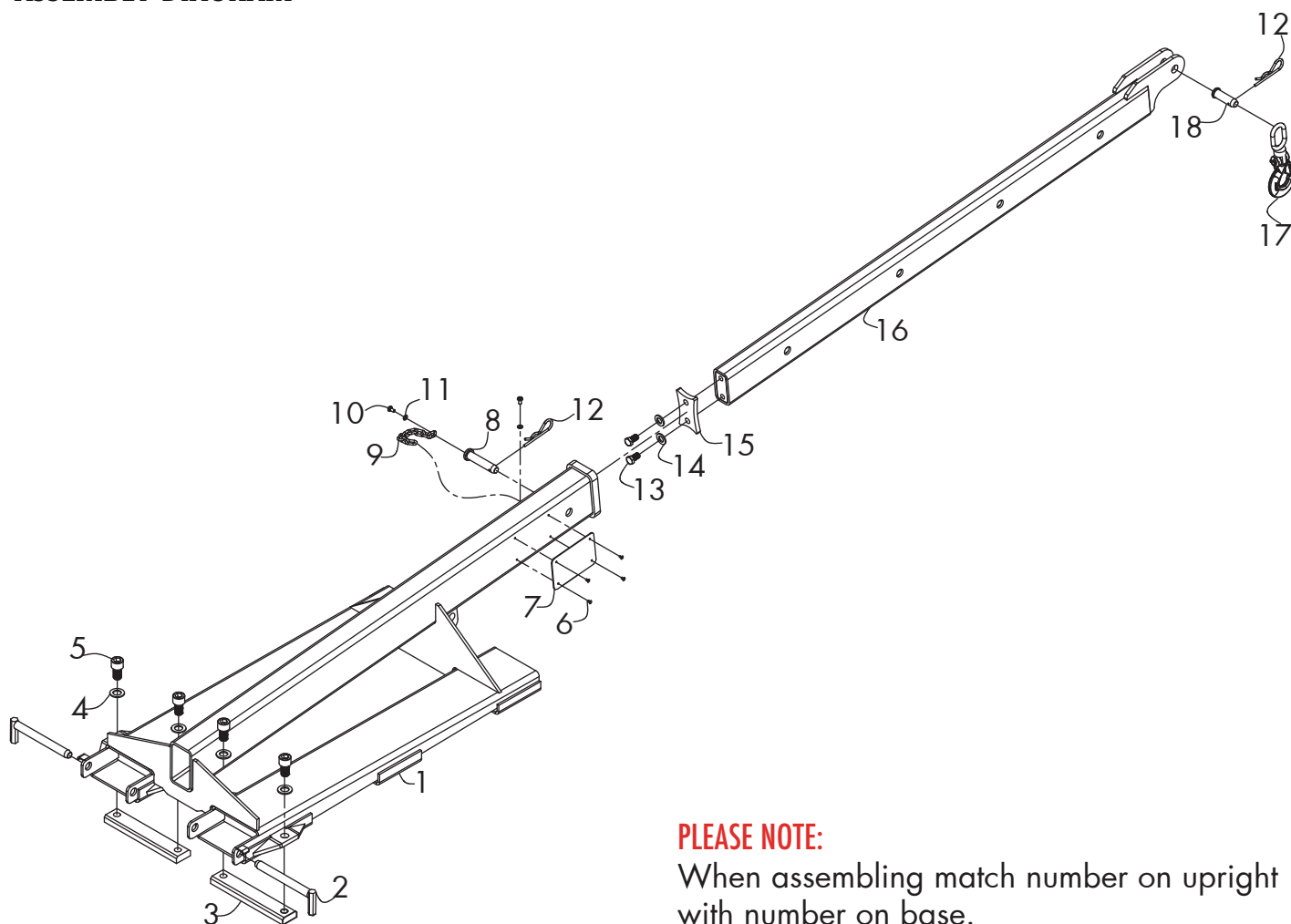
For reference only. Final load limits must follow the forklift manufacturer's specifications.



SPECIFICATIONS

FB2-3580	METRIC	IMPERIAL
Manual telescope	2107 - 3580 mm	83" - 141"
Increment	491 mm	19 3/8"
Slip onto fork designed with fork pockets	165 x 65 mm	6 1/2" x 2 3/4"
Fork pockets	377 mm	14 7/8"
Working load limit	Retracted: 1500 kgs Extended: 700 kgs	Retracted: 3307 lbs Extended: 1543 lbs
Net weight	136 kgs	300 lbs
Gross weight	146 kgs	322 lbs
Packaging dimensions	2250 x 630 x 550 mm	88 5/8" x 24 3/4" x 21 5/8"

ASSEMBLY DIAGRAM



PLEASE NOTE:

When assembling match number on upright with number on base.

PARTS LIST

POS.	DESCRIPTION	Q'TY
1	Base	1
2	Hexagon Pin	2
3	Adjusting Bar	2
4	Plain Washer M20	4
5	Socket Head Cap Screw M20x50	4
6	Pop Rivet	4
7	Label	1
8	Locking Pin_1	1
9	Chain Ø6x300 mm	1

POS.	DESCRIPTION	Q'TY
10	Truss Head Cap Screw M8x20	2
11	Plain Washer M8	2
12	Cotter Pin	2
13	Bolt M16x30	2
14	Plain Washer M16	2
15	Flange	1
16	Slide Bar	1
17	Swivel Hook 3.0T (SH30T)	1
18	Locking Pin_2	1

02 SAFETY INSTRUCTIONS



GENERAL GUIDELINES

✦ Training

Operators must be trained and possess the necessary knowledge, skills, and expertise in accordance with industry and regulatory standards for operating the equipment in their region.

✦ Manual Availability

Ensure this manual is readily accessible and fully understood by all operators.

✦ Wear Protective Gear

Always wear appropriate personal protective equipment (PPE), including safety goggles, gloves, and protective footwear.

✦ Inspect Before Use

Regularly inspect the forklift boom and lifting components for signs of wear, damage, or missing parts.

✦ Use Approved Equipment

Only operate the forklift boom with forklift trucks of suitable rated capacity.

✦ Follow Regulations

Follow all relevant workplace safety regulations and lifting equipment inspection schedules.

✦ Check Load Limits

Always check the manufacturer's load chart for safe lifting limits.

✦ Center of Gravity Awareness

Always consider the center of gravity of the load and boom. Improper CG positioning can cause instability, especially at extended lengths. Refer to the CG chart provided in this manual.



WARNINGS

✘ NEVER

Stand underneath a suspended load or allow others to do so.

Exceed the rated capacity of the forklift boom at any extension.

Use counterweights to increase forklift capacity artificially.

Attempt to lift a load if the forklift begins to tip or feel unstable.

✘ NEVER (CONT.)

Use the boom if it is bent, cracked, or otherwise damaged.

Bypass or remove safety features, including the built-in extension stop.

Attempt to modify the boom without written manufacturer approval.

Lift or move loads that are not properly secured to the hook or lifting device.

✔ ALWAYS

Secure the boom to the forklift with both locking bolts and restraint pins before use.

Tilt the forklift mast back toward the driver before lifting a load.

Ensure the forklift forks are fully inserted into the boom's fork pockets.

Insert restraint pins behind the fork uprights to prevent forward movement.

Use the correct hook position and check the corresponding load limit before lifting.

Inspect lifting gear, such as chains and hooks, before use.

Lift and lower the load slowly and steadily.

Move the load at the lowest safe travel height.

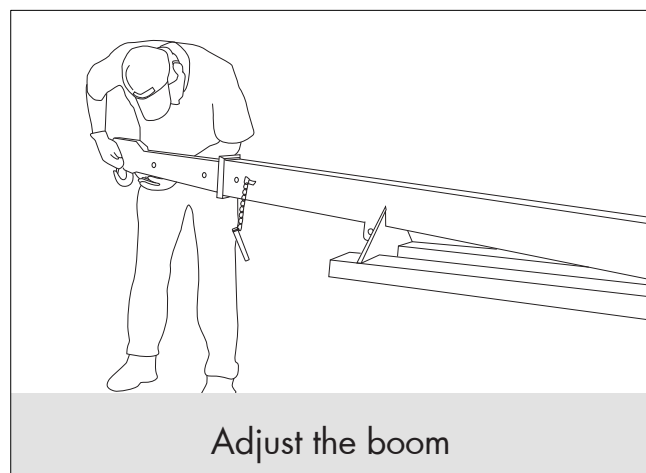
Operate on level ground and avoid sudden stops, starts, or sharp turns.

03 USER INSTRUCTIONS**1 Mounting the Boom**

- Insert forklift tines into the boom's fork pockets until they contact the carriage.
- Tighten the locking bolts and insert restraint pins behind the fork uprights.

2 Adjusting Boom Extension

- Extend the inner boom to the desired hook position.
- Align holes and insert the locking pin securely.



3 Lifting the Load

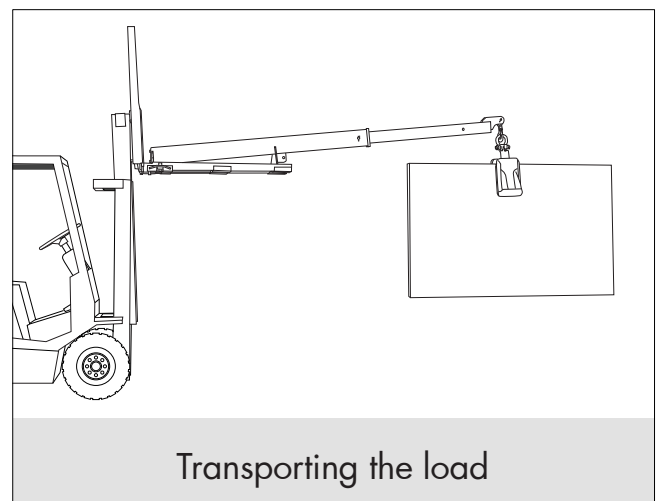
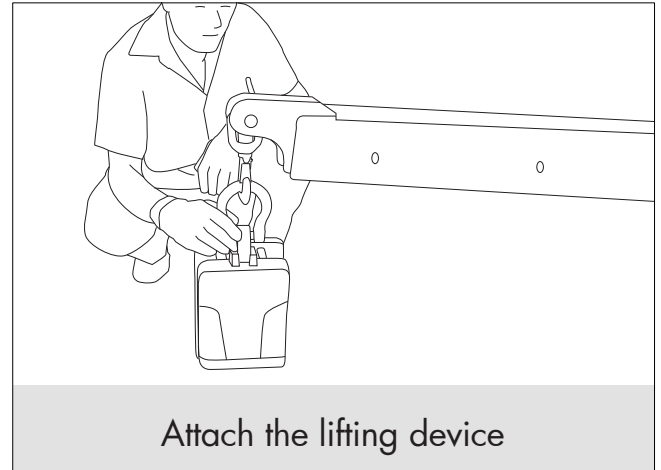
- Attach the lifting device to the hook.
- Secure the load, raise it slowly, and tilt the mast back slightly.
- If unstable, lower the load and adjust the boom or load position.

4 Transporting the Load

- Keep the load at minimum safe travel height.
- Drive slowly; avoid sharp turns, bumps, and sudden stops.

5 Placing the Load

- Position and lower the load gently.
- Detach the lifting device.
- Retract and lock the boom if no further



04 MAINTENANCE

↗ Inspection

Check for cracks, wear, and secure pins/bolts before each use.

↗ Cleaning

Wipe down regularly and keep dry to prevent corrosion.

↗ Lubrication

Lightly oil moving parts and sliding surfaces as needed.

↗ Storage

Store retracted in a clean, dry place. Use anti-rust spray for long-term storage.

↗ Replacement

Replace worn/damaged parts with genuine components.

05 WARRANTY



PRODUCT CHECK AND REPORTING

Upon receiving the product, the buyer should verify, based on the spare parts list and attached spare drawings, that all spare parts are intact and not lost during shipment. Any damages or losses must be officially reported to Aardwolf Industries within eight days of purchase.



WARRANTY INFORMATION

The product comes with a 12-month warranty from the date of purchase, following Aardwolf Industries warranty policy.



WARRANTY EXCLUSIONS

The warranty coverage does not apply if:

- ✘ The product is mishandled, misused, or not operated according to its intended purpose.
- ✘ The user fails to follow the operating and safety instructions provided in this manual.
- ✘ The boom is subjected to loads exceeding its specified Working Load Limit (W.L.L.).
- ✘ Damage results from insufficient maintenance, lack of inspection, or neglect.
- ✘ The boom is stored improperly, resulting in corrosion or structural degradation.
- ✘ Unauthorized repairs or modifications are performed without written approval from Aardwolf Industries.
- ✘ Non-genuine or unapproved replacement parts are used.



DECLARATION OF CONFORMITY

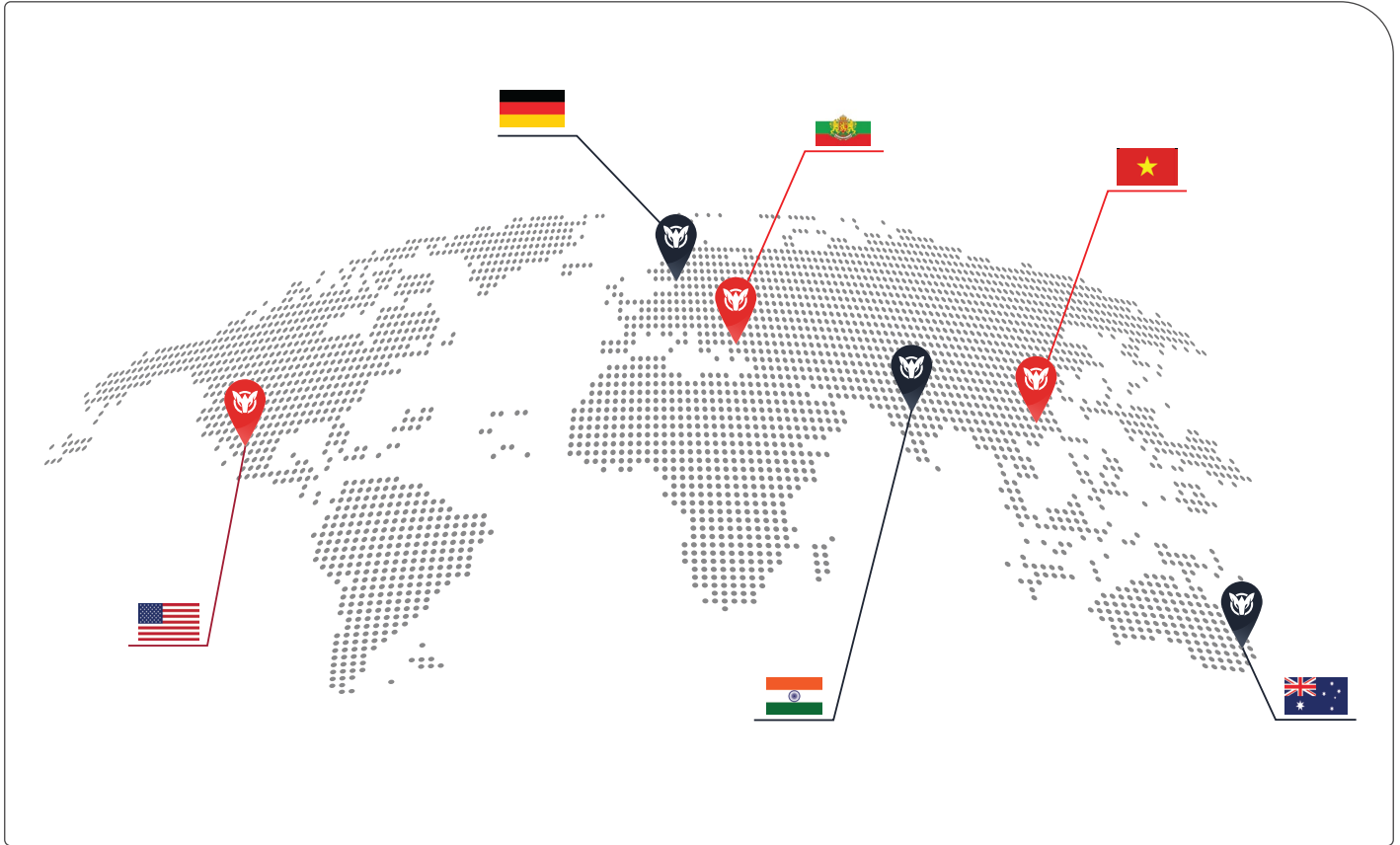
We declare that the product conforms to the following standards:

- ✘ The Machinery Directive 2006/42/EC
- ✘ Australian Standard 4991-2004

Note: *It is the user's responsibility to comply with state or local laws. The end user is responsible for using the equipment safely, in the manner it is designed for, and within the unit's rated capacity.*

WE PROVIDE

Simple, Reliable, Cost Saving And
Awesome Ideas For Your Business



FIND THE NEAREST AARDWOLF SERVICE CENTER

AUSTRALIA

1/5 Stanton Road, Seven Hills NSW 2147
Tel: 02 9838 8427
Email: sales@toolrange.com.au
Web: www.aardwolfaustralia.com

BULGARIA

Str.Usta Kolio Ficheto 33
Tel: +359 887 933 754
Email: adrian@toolrange.com

GERMANY

Schulze-Delitzsch-Weg 2, 33175 Bad Lippspringe
Tel: 05252 8382830
Email: sales@toolrange.com.de

INDIA

Harmara Road, Industrial Area, Madanganj, Kishangarh,
District- Ajmer, Rajasthan India 305801
Tel: +91 73000 68444
Email: sales@aardwolf.co.in
Web: www.aardwolf.co.in

USA

9401 Norwalk Blvd, Santa Fe Springs, CA 90670
Tel: (562) 553-6050
Email: sales@aardwolfusa.com
Web: www.aardwolfusa.com

VIETNAM

1B, An Phu, Thuan An City, Binh Duong Province, Vietnam
Tel: +84 931 707 793
Email: info@aardwolf.com.au
Web: www.aardwolf.com.au

