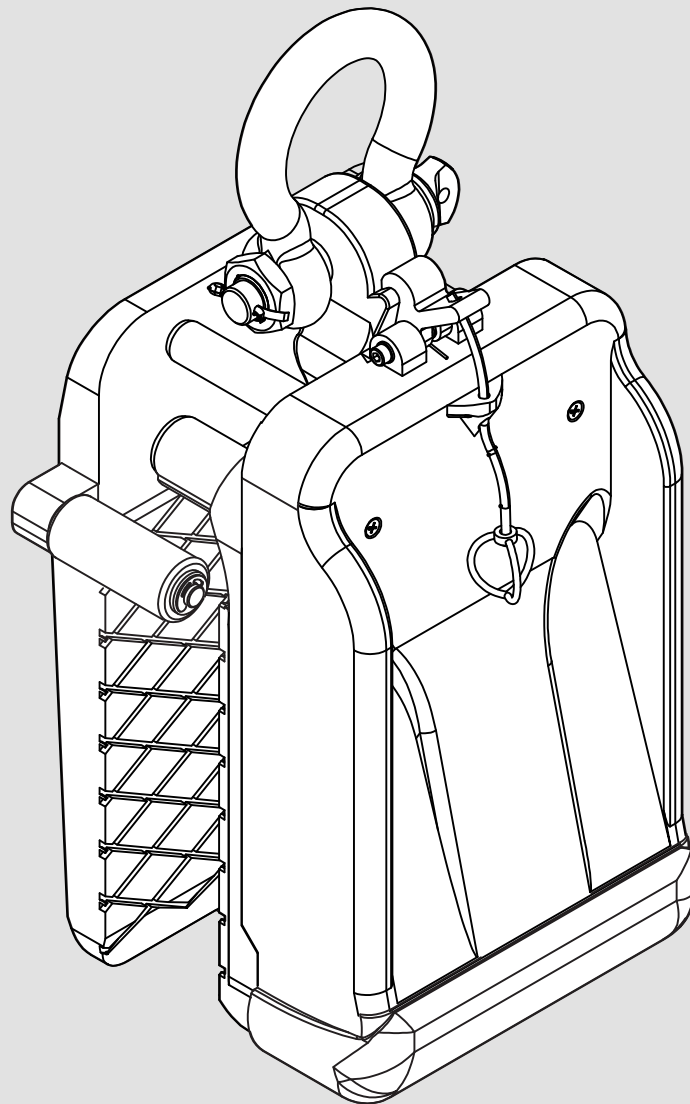


# AARDWOLF SLAB LIFTER

**AL60**



## CREATED BY

**AARDWOLF INDUSTRIES**  
*Marketing Department*

Published on:  
**February 2025**

Contact us:  [info@aardwolf.com.au](mailto:info@aardwolf.com.au)  
 [www.aardwolf.com.au](http://www.aardwolf.com.au)



**Dear Customer,**

Thank you for choosing the **Aardwolf Slab Lifters**.

Aardwolf Slab Lifters are particularly beneficial for several key industries, including construction, stone fabrication, landscaping, and manufacturing.

These industries rely on efficiently handling heavy slab materials like granite, marble, steel, and other slab materials with a working load limit of up to 1200 kg (2204 lb), where Aardwolf's lifting solutions enhance safety and productivity during installation and transportation tasks.

Please read the manual carefully before use and keep it readily accessible beside the Lifter at all times.

If you have any questions, require spare parts, or need to report any issues, please contact the Aardwolf distributor at your location, provide the product code, and serial number, and send them to ***info@aardwolf.com.au*** for assistance.

We hope this advanced tool meets your needs and exceeds your expectations.

Best regards,

**Aardwolf Industries**

 [info@aardwolf.com.au](mailto:info@aardwolf.com.au)

 [www.aardwolf.com.au](http://www.aardwolf.com.au)

# INDEX

	<i>Page</i>
<b>01</b> OVERVIEW	
<i>Introduction</i>	04
<i>Specifications</i>	05
<i>Dimensions</i>	05
<i>Drawing</i>	06
<i>Parts list</i>	07
<b>02</b> SAFETY INSTRUCTIONS	
<i>General</i>	08
<i>Warning</i>	10
<b>03</b> USER INSTRUCTIONS	11
<b>04</b> MAINTENANCE	12
<b>05</b> TROUBLESHOOT	13
<b>06</b> WARRANTY	14
<b>07</b> AARDWOLF SERVICES	15



# 01 OVERVIEW



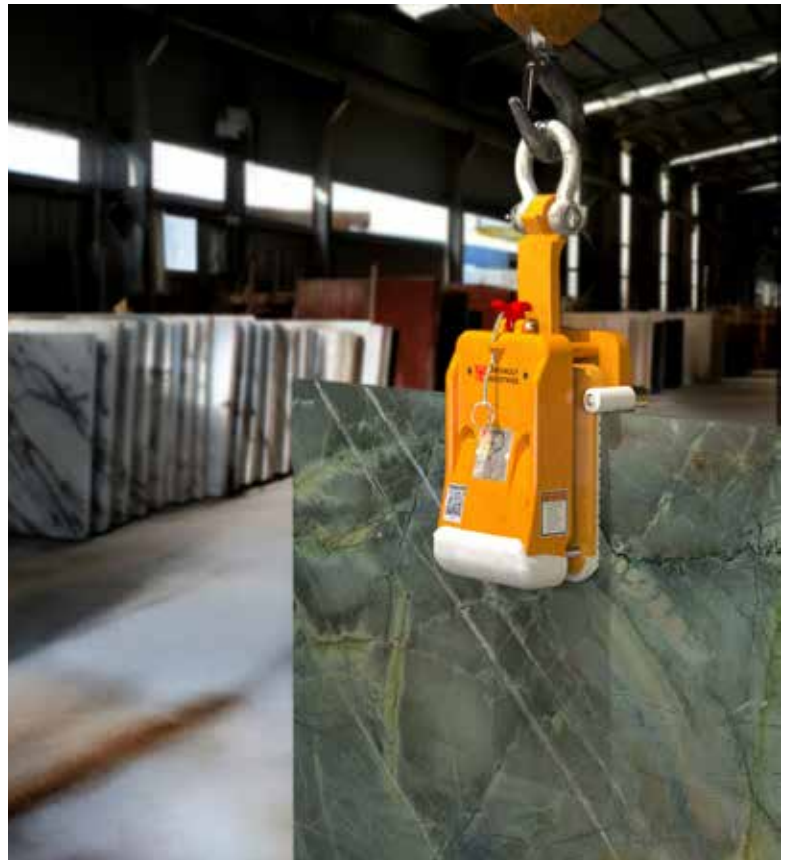
## INTRODUCTION

At Aardwolf Industries, we understand that precision, efficiency, and safety are paramount in the construction and stone fabrication. We are proud to introduce our Aardwolf Slab Lifters, a revolutionary solution designed to streamline the lifting and transporting of heavy stone slabs, large-size tiles, and other slab materials.

Continuously researched, developed, and improved, Aardwolf slab lifters blend strength, safety, and ease of use. With a variety of grip range models available, we cater to the diverse needs of our customers, ensuring that whether you are working in a small workshop or a large construction site, you have the right equipment for your job.

### Key features

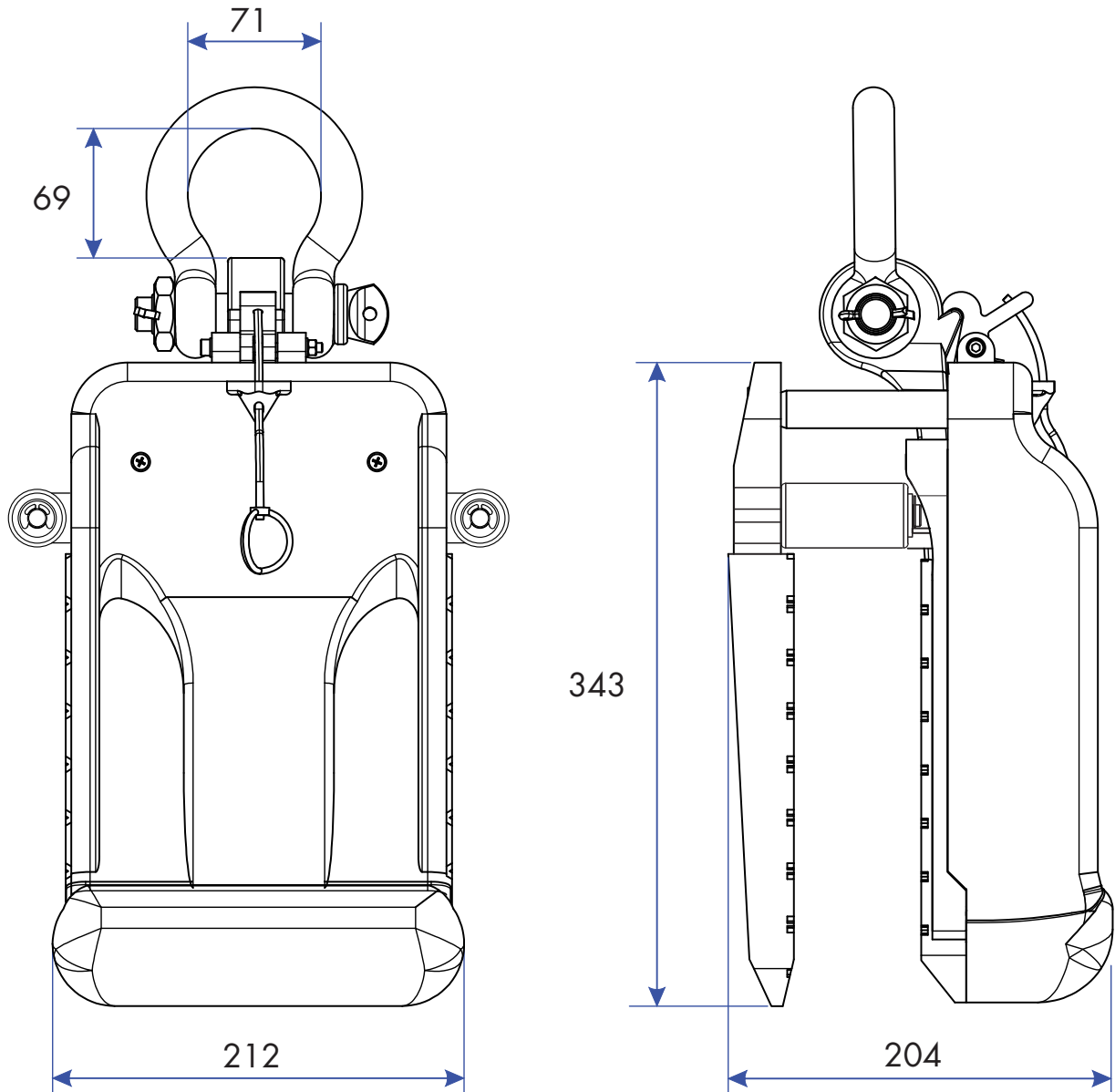
-  **Locking Latch**  
Unlock to grips and lock to releases the slab.
-  **Smart Rollers**  
Allow precise and easy positioning along the slab's edge.
-  **Versatile**  
Handles slab materials of varying thicknesses.
-  **Scratch Protection**  
Rubber-covered clamp plates protect slab surfaces without marks.
-  **Compact**  
Ideal for lifting tightly packed slabs from racks and containers.



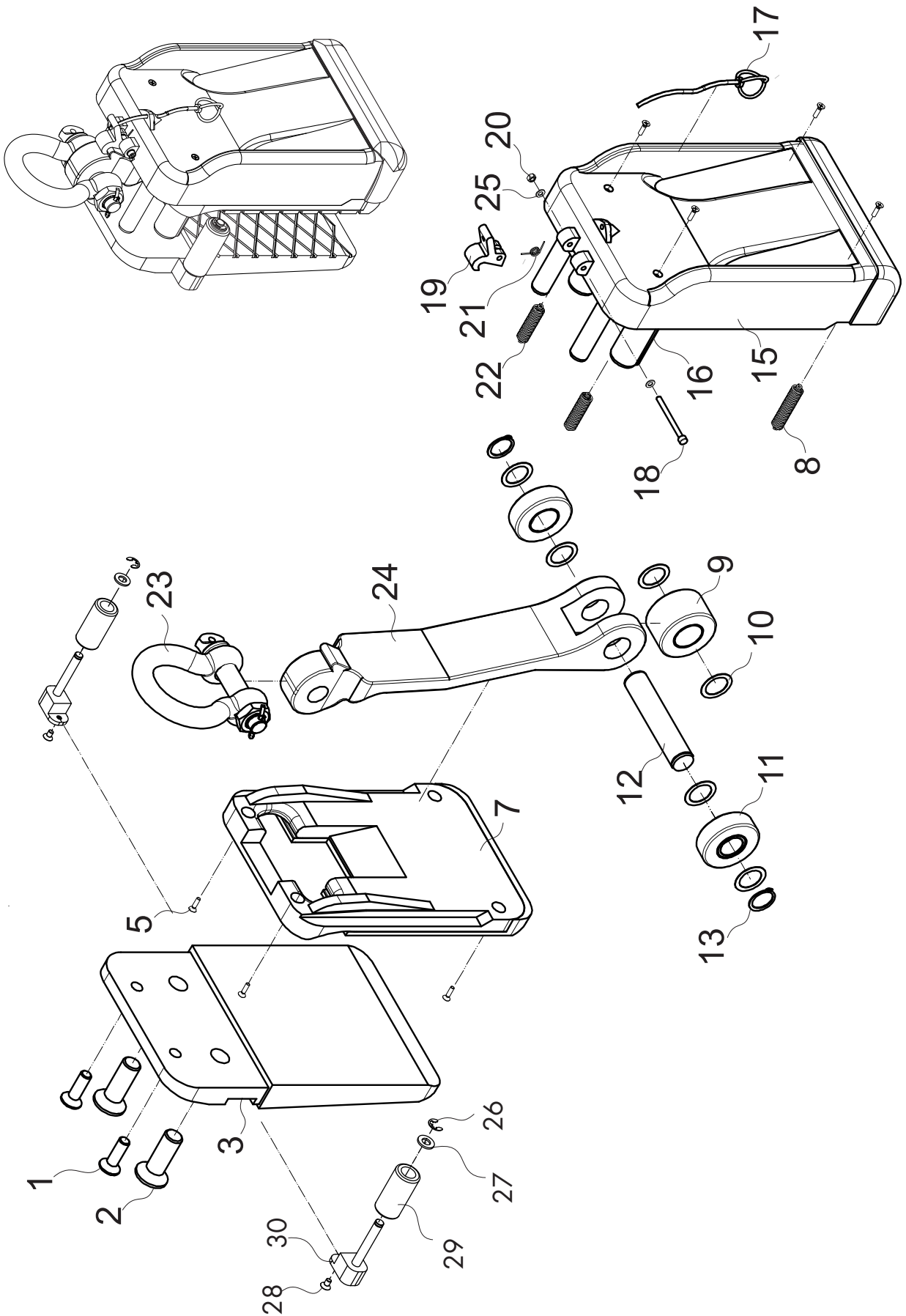
## SPECIFICATIONS

AL60	Metric	Imperial
Grip Range	15 - 60 mm	0.6 - 2.4"
Net Weight	25 kg	55 lb
Gross Weight	26 kg	57 lb
Working Load Limit	1200 kg	2646 lb
Packaging dimensions	420 x 230 x 250 mm	16.5 x 9 x 9.8 in

## DIMENSIONS



**DRAWING**



## PARTS LIST

POS.	DESCRIPTION	Q'TY
1	Countersunk Head Screw M12x40	2
2	Countersunk Head Screw M20x60	2
3	Back Plate	1
5	Tapping Screw M4x15	8
7	Center Sliding Plate	1
8	Bottom Extension Spring	2
9	Inner Pressure Wheel	1
1	Brass Washer Ø25	6
11	Outer Pressure Wheel	2
12	Shaft	1
13	Circlip Ø25	2
15	Camplate	1
16	Rubber Pieces	2
17	Lanyard	1
18	Socket Head Cap Screw M5x60	1
19	Locking Latch	1
20	Nylon Nut M5	1
21	Torsion Spring	1
22	Top Extension Spring	2
23	Shackle	1
24	Lifting Pin	1
25	Washer Ø5	2
26	Circlips Ø10	2
27	Washer Ø10	2

POS.	DESCRIPTION	Q'TY
28	Countersunk Head Screws M6x16	2
29	Plastic Roller	2
30	Roller Base	2



# 02 SAFETY INSTRUCTIONS



## GENERAL

### PREPARATION

- ✘ **Training**  
The operator must be trained in all relevant industry and regulatory standards for operating the Lifter in their geographical location.
- ✘ **Manual Availability**  
Ensure the operator's manual is available and understood by all operators.
- ✘ **Load Specifications**  
Ensure the load does not exceed the W.L.L.

### PRE-USE CHECKS

- ✘ **Tests**  
Perform load tests to ensure the Lifter works well.
- ✘ **Obstructions**  
Ensure there are no obstructions during operation.
- ✘ **Locking Mechanisms**  
Ensure the locking mechanism on the Lifter is functioning correctly.
- ✘ **Connection Points**  
Inspect all connection points, including bolts, pins, and hooks, to ensure they are secure and cannot loosen during the operation.

### OPERATING INSTRUCTIONS

- ✘ **Personnel**  
Only competent and authorized personnel should operate the Lifter.
- ✘ **Protective Equipment**  
Operators must always wear appropriate protective equipment.
- ✘ **Weather Conditions**  
Avoid Lifer's operating in the rain or high humidity environment.
- ✘ **Lifting guide**  
Always ensure the Lifter is operated in the correct lifting direction. The outer camplate should be positioned in front of the stone slab during lifting. This positioning prevents the outer camplate from touching the slab behind it, reducing the risk of material dropping.

### Controlled Movement

Move the load slowly and smoothly, avoiding sudden movements that could destabilize or cause it to shift.

### Load Handling

Never lift a load over people. Ensure no one is under the load during lifting.

### Damaged Equipment

Do not operate a Lifter that is damaged, malfunctioning, or missing parts.

## SAFETY MULTI-SLAB LIFTING

### Polished Surfaces

If slabs have a polished surface, the polished sides must face each other during clamping and lifting.

### Uniformity

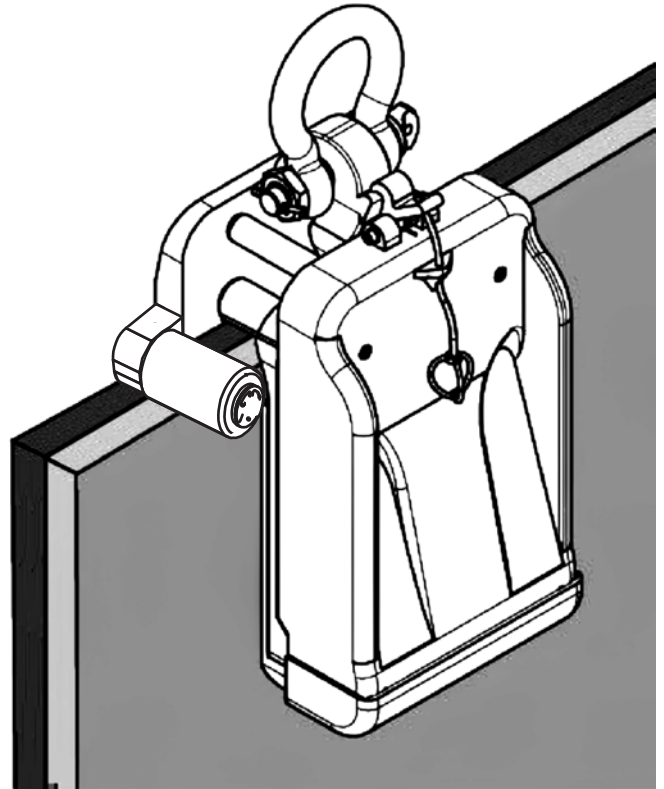
Ensure slabs are of the same height and width, aligned at the sides and top edges for uniform lifting.

### Clean Surfaces

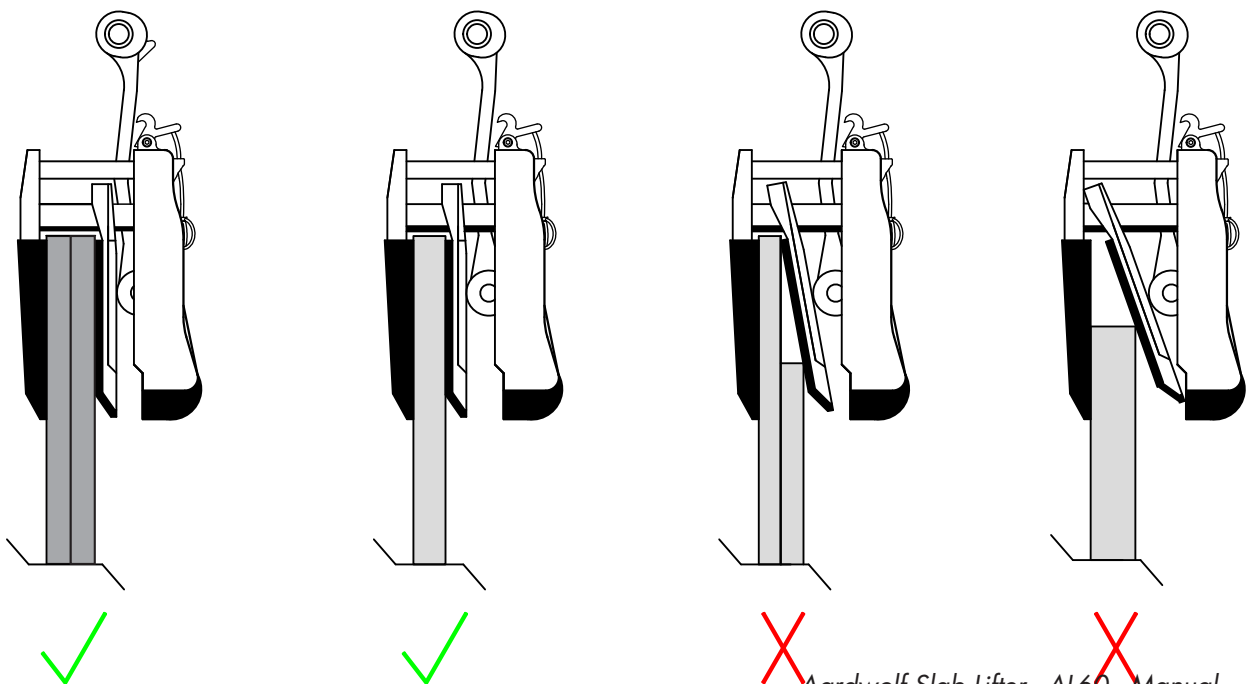
Remove any loose materials, foreign objects, or debris between slabs to ensure a firm and even grip within the clamp.

### W.L.L

The total weight of the slabs being lifted must not exceed the working load limit.



## SAFE AND UNSAFE METHOD OF GRIPPING SLABS





## WARNINGS

### Always

**Wear Personal Protective Equipment:**

Always wear appropriate personal protective equipment suitable for handling materials.

**Check for Damage:** Always inspect the Lifter for damage, malfunctioning parts, or missing components before each use.

**Maintain Clean Surfaces:** Always ensure that the contact surfaces of the load and all rubber pads are clean before operating.

**Use Appropriate Load Characteristics:**

Always ensure the load is within the specified weight limit and is a single piece of non-porous material with a flat and relatively smooth contact surface.

**Conduct Regular Maintenance:** Always perform regular inspections and maintenance as outlined in the manual to ensure the Lifter is in good working condition.

**Follow Operating Procedures:** Always follow the specified operating procedures when lifting, rotating, or moving loads.

### Never

**Operate a Damaged Lifter:** Never operate a Lifter that is damaged, malfunctioning, or missing parts.

**Exceed Load Capacity:** Never exceed the Lifter's W.L.L or attempt to lift loads it is not designed for.

**Lift Unstable Loads:** Never attempt to lift a cracked or broken load or any load that does not meet the W.L.L

**Lift Over People:** Never lift a load over people or allow people to ride on the Lifter or the load.

**Leave Suspended Loads Unattended:** Never leave a suspended load unattended or lift it higher than necessary.

**Modify the Lifter:** Never modify the Lifter, as modifications may compromise its safety and performance.

**Use in Dangerous Environments:** Never use the Lifter in inherently dangerous environments or likely to compromise its ability to function, such as areas containing explosives or caustic chemicals.

## 03 USER INSTRUCTIONS

Along with the additional instructions listed in the section "**Multiple Slab Lifting**", these steps must be followed by the operator on all occasions:

- ❖ Operating personnel must stand so that they always have a full view of raising/lowering movements of the lifting equipment and its load.
- ❖ Move the top of the slab out from the pack of slabs by using a pinch bar and wedge, allowing enough room for the backplate of the clamp to pass between slab and pack of slabs. Do not move the top of the slab past center of balance, keep the slab in an inclined position.
- ❖ Position the clamp squarely and in the center of the slab so that the load is balanced.
- ❖ Make sure that the slab is inserted full depth into the opening of the clamp.
- ❖ Release the locking latch so that the jaws will lock onto the slab when the lifting cable is raised.
- ❖ Lift the slab slowly to ensure the load is balanced.

### Warning!

Before lowering the load, make sure that there are no obstructions that the load or the clamp could unintentionally rest on. In this event, the clamp can drop the load.

**IMPORTANT:** Carefully observe the Safety instructions supplied with the lifting clamp.

**SCAN HERE**

To see How to use the  
Aardwolf Slab Lifter



# 04 MAINTENANCE

## Check

Daily Inspection: Visually inspect the Lifter for wear, damage, or loose parts.

Functional Test: Regularly test the auto-lock and unlock mechanisms.

Load Test: Periodically perform a load test to ensure proper operation.

## Storage

Proper Storage: Keep the Lifter in a dry, clean environment to prevent rust and corrosion.

Protective Covers: Use covers for clamp plates and sensitive parts to protect from dust and debris.

Temperature Control: Avoid extreme temperatures to preserve materials and performance.

## Clean

Regular Cleaning: Wipe down daily, focusing on rollers, clamp plates, and the auto-lock mechanism.

Deep Cleaning: Conduct monthly deep cleaning to remove any contaminants.

Safe Cleaning Agents: Use only approved cleaning agents to protect rubber pads and components.

## Replace

Component Replacement: Replace any worn or damaged parts as needed.

Scan the QR code below for instructions on replacing key parts in general.



**SCAN HERE**

To see How to change  
the pin.



**SCAN HERE**

To watch Aardwolf Slab Lifter  
Maintenance video.

# 05 TROUBLESHOOT

PROBLEM	LIKELY CAUSED BY	ACTION REQUIRE
Clamp fails to grip slab	The locking latch is not releasing properly.	Check the locking latch mechanism for obstructions or wear.
	The auto-lock mechanism is malfunctioning.	Inspect the auto-lock mechanism for damage or debris. Clean the area and test the functionality. If the issue persists, consider replacing the mechanism.
Slab slips during lifting	Insufficient grip due to worn rubber pads.	Inspect the rubber gripping pads for wear. Replace them if they are worn or damaged.
	Slab not fully inserted into the clamp.	Ensure the slab is inserted to its full depth in the clamp. Adjust positioning and retry the lift.
	The clamp is not positioned centrally on the slab.	Reposition the clamp so that it is centered on the slab and try lifting again.
Clamp does not lift or release slab	Load too heavy	Reduce the load. Ensure it does not exceed the lifter's maximum lifting capacity.
	Locking Latch mechanism is stuck or jammed.	Inspect the mechanism for any obstructions or mechanical faults.

**Note:** For serious issues or additional support, please get in touch with Aardwolf Technician Support at [info@aardwolf.com.au](mailto:info@aardwolf.com.au). Our experts are ready to assist with any complex problems to ensure your equipment operates smoothly.

# 06 WARRANTY



## PRODUCT CHECK AND REPORTING

Upon receiving the product, the buyer should verify, based on the spare parts list and attached spare drawings, that all spare parts are intact and not lost during shipment. Any damages or losses must be officially reported to Aardwolf Industries within eight days of purchase.



## WARRANTY INFORMATION

The Aardwolf Slab Lifter comes with a 12-month warranty from the date of purchase, following Aardwolf Industries's warranty policy.



## WARRANTY EXCLUSIONS

The warranty coverage does not apply if:

- ✘ The Lifter is handled incorrectly during maneuvering.
- ✘ The user fails to comply with the instructions provided in the manual.
- ✘ The Lifter's maximum W.L.L is exceeded.
- ✘ The specifications for the load thickness are not followed.
- ✘ Damages result from inadequate maintenance and inspections.
- ✘ Damage is due to improper storage.
- ✘ Repairs are performed by the user without permission from Aardwolf Industries.
- ✘ Unofficial spare parts are used.



## DECLARATION OF CONFORMITY

We declare that the Lifter conforms to the following standards:

- ✘ The Machinery Directive 2006/42/EC
- ✘ Australian Standard 4991-2004

**Note:** *It is the user's responsibility to comply with state or local laws. The end user is responsible for using the equipment safely, in the manner it is designed for, and within the unit's rated capacity.*

# 07 AARDWOLF SERVICES



## GLOBAL CONTACT

Our sales network of local field representatives, international subsidiaries and trade partners ensures quick and competent information and consultation in 6 countries worldwide.

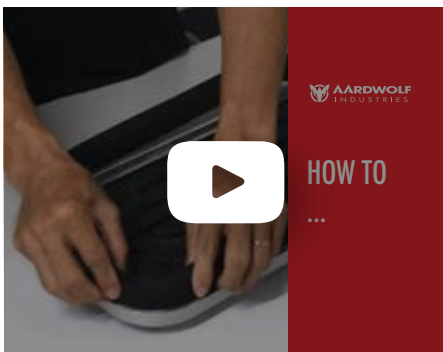
 [www.aardwolf.com.au](http://www.aardwolf.com.au)



## ONLINE DOCUMENTATION


Conveniently download catalogs and get comprehensive information about our products and services.

 [www.aardwolf.com.au/catalog.php](http://www.aardwolf.com.au/catalog.php)



## AARDWOLF PRODUCT VIDEOS

In short, easy-to-understand videos we explain the comprehensive functions offered by our products on our Youtube Channel. Take a look, it's worth it!

 [www.youtube.com/@Aardwolf.Industries](http://www.youtube.com/@Aardwolf.Industries)

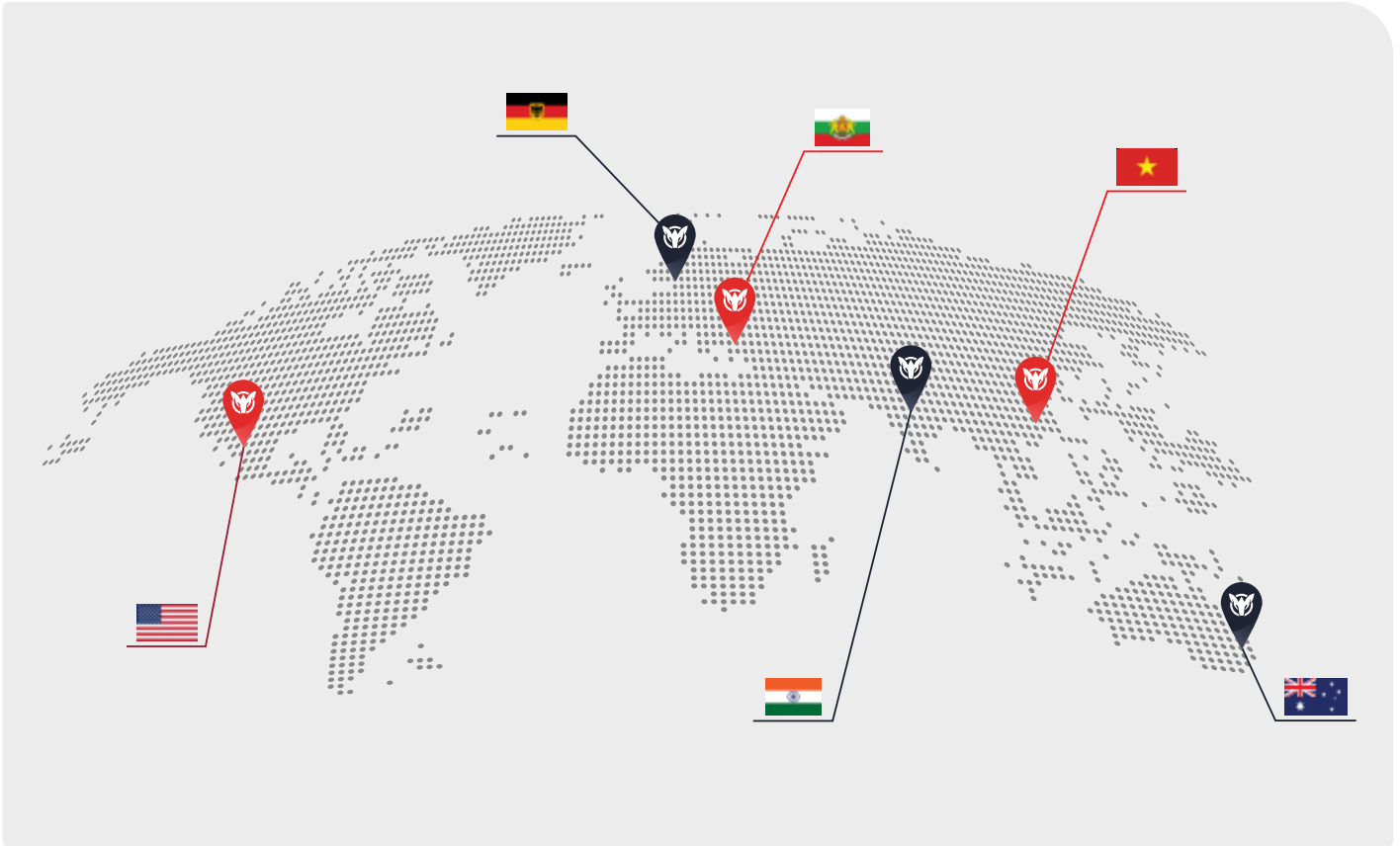


**OR SCAN HERE**

To visit our Youtube Channel

## WE PROVIDE

Simple, Reliable, Cost Saving And  
Awesome Ideas For Your Business



## FIND THE NEAREST AARDWOLF SERVICE CENTER

### AUSTRALIA

1/5 Stanton Road, Seven Hills NSW 2147  
Tel: 02 9838 8427  
Email: [enquiries@aardwolfaustralia.com](mailto:enquiries@aardwolfaustralia.com)  
Web: [www.aardwolfaustralia.com](http://www.aardwolfaustralia.com)

### BULGARIA

Str.Usta Kolio Ficheto 33  
Tel: +359 887 933 754  
Email: [adrian@toolrange.com](mailto:adrian@toolrange.com)

### GERMANY

Schulze-Delitzsch-Weg 2, 33175 Bad Lippspringe  
Tel: 05252 8382830  
Email: [sales@toolrange.com.de](mailto:sales@toolrange.com.de)

### INDIA

Harmara Road, Industrial Area, Madanganj, Kishangarh,  
District- Ajmer, Rajasthan India 305801  
Tel: +91 73000 68444  
Email: [sales@aardwolf.co.in](mailto:sales@aardwolf.co.in)  
Web: [www.aardwolf.co.in](http://www.aardwolf.co.in)

### USA

9401 Norwalk Blvd, Santa Fe Springs, CA 90670  
Tel: (562) 553-6050  
Email: [sales@aardwolfusa.com](mailto:sales@aardwolfusa.com)  
Web: [www.aardwolfusa.com](http://www.aardwolfusa.com)

### VIETNAM

1B, An Phu, Thuan An City, Binh Duong Province, Vietnam  
Tel: +84 931 707 793  
Email: [info@aardwolf.com.au](mailto:info@aardwolf.com.au)  
Web: [www.aardwolf.com.au](http://www.aardwolf.com.au)

