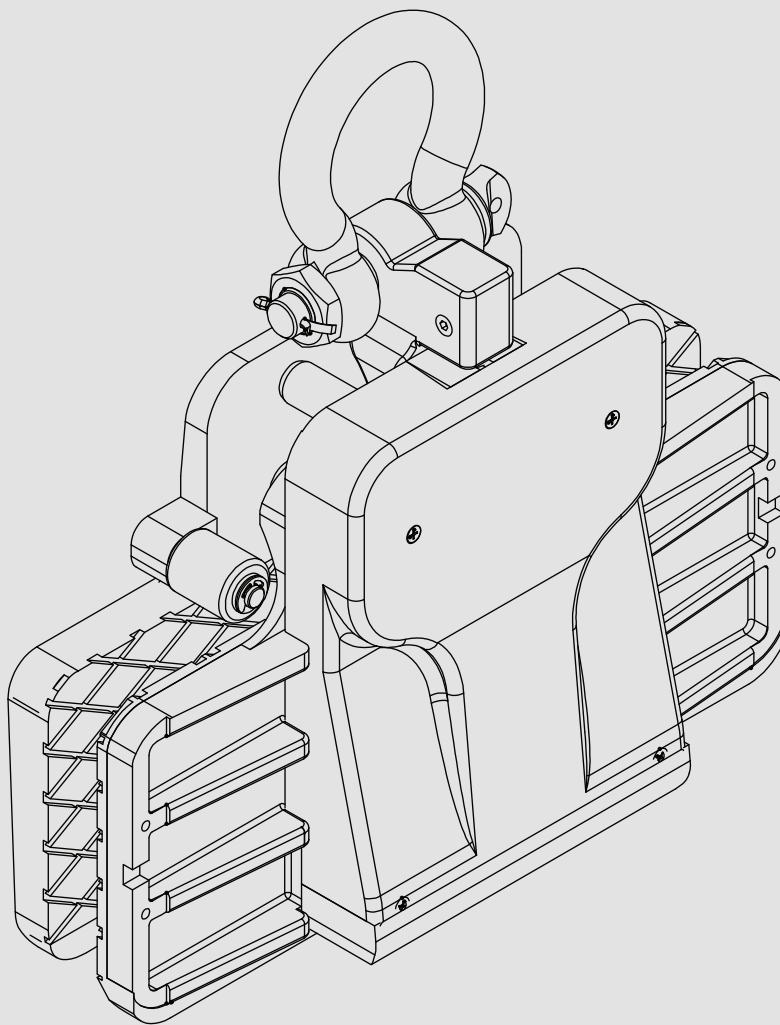


# AARDWOLF SLAB LIFTER AUTOMATIC

**AL20AWJ**



## CREATED BY

**AARDWOLF INDUSTRIES**  
*Marketing Department*

Published on:  
**February 2025**

Contact us:  [info@aardwolf.com.au](mailto:info@aardwolf.com.au)  
 [www.aardwolf.com.au](http://www.aardwolf.com.au)



# INDEX

Page

## 01 OVERVIEW

Introduction	04
Technical data	05

## 02 SAFETY INSTRUCTIONS

General	07
Warnings	09

## 03 USER INSTRUCTIONS

10

## 04 MAINTENANCE

11

## 05 PREVENTIVE MAINTENANCE CHECKLIST

12

## 06 TROUBLESHOOT

13

## 07 WARRANTY

14

## 08 AARDWOLF SERVICES

15

**Dear Customer,**

Thank you for choosing the **Aardwolf Slab Lifter Automatic – AL20AWJ**.

Please read the manual carefully before use and keep it readily accessible beside the Lifter at all times.

If you have any questions, require spare parts, or need to report any issues, please contact the Aardwolf distributor at your location, provide the product code and serial number, and send them to ***info@aardwolf.com.au*** for assistance.

We hope this advanced tool meets your needs and exceeds your expectations.

Best regards,

**Aardwolf Industries**

 [info@aardwolf.com.au](mailto:info@aardwolf.com.au)

 [www.aardwolf.com.au](http://www.aardwolf.com.au)

# 01 OVERVIEW

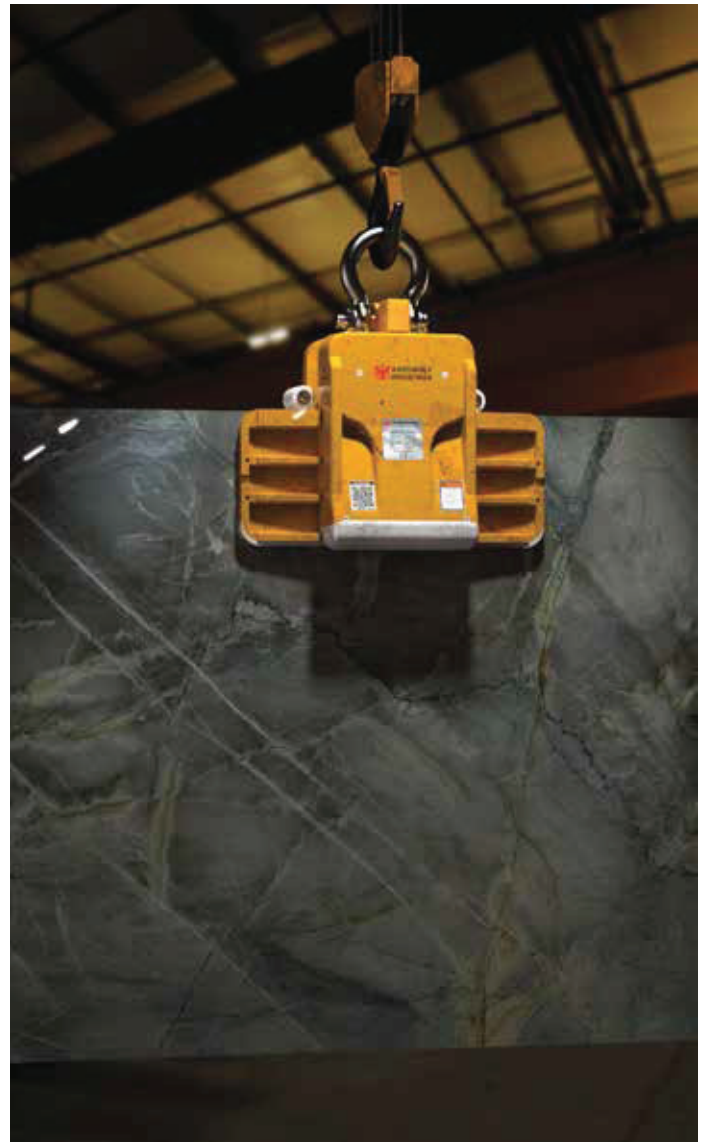


## INTRODUCTION

The Aardwolf Slab Lifter AL20AWJ features a cutting-edge auto-lock mechanism that automatically grips slabs during pick-up and releases them on set-down. Its smart roller design allows effortless adjustment along the slab's upper edge, reducing setup time and improving workflow. This innovation enhances safety and efficiency when used with a crane or forklift to clamp, lift, and transport stone slabs.

### Key features

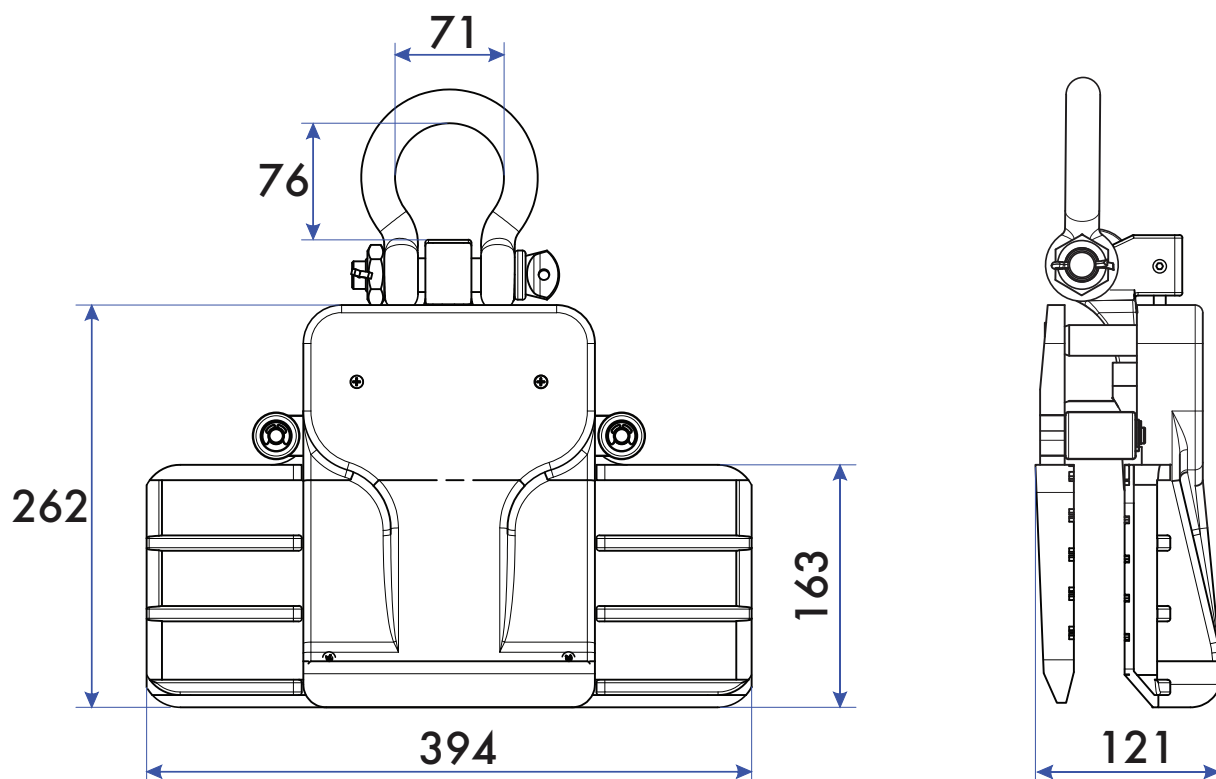
- **Auto-Locking**  
Automatically grips and releases slabs.
- **Smart Rollers**  
Allow precise and easy positioning along the slab's edge.
- **Versatile**  
Handles natural and engineering stones of varying thicknesses.
- **Scratch Protection**  
Rubber-covered clamp plates protect slab surfaces without marks.
- **Compact**  
Ideal for lifting tightly packed slabs from racks and containers.
- **Grip Range**  
Up to 20 mm.



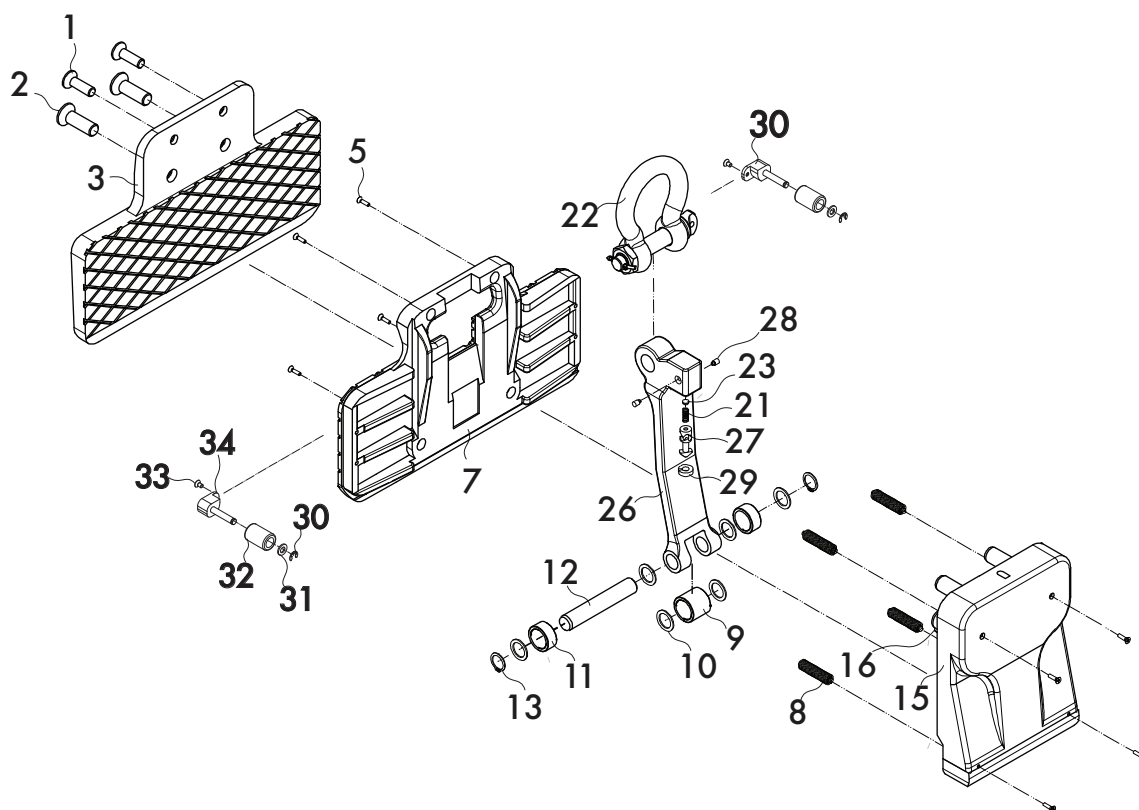


## TECHNICAL DATA

### DIMENSIONS - AL20AWJ



### DRAWING - AL20AWJ



## PARTS LIST - AL20AWJ

POS.	DESCRIPTION	Q'TY	POS.	DESCRIPTION	Q'TY
1	Hexagon Socket Countersunk Head Screw M12x40	2	22	Shackle	1
2	Hexagon Socket Countersunk Head Screw M16x50	2	23	Spring Cap	1
3	Back Plate	1	26	Lifting Pin	1
5	Tapping Screw M4x15	8	27	Locking Pin	1
7	Center Sliding Plate	1	28	Special Bolts M8x16	2
8	Extension Spring	4	29	Plastic Cap	1
9	Inner Pressure Wheel	1	30	Circlip Ø10	2
10	Brass Washer Ø20	6	31	Washers Ø10	2
11	Outer Pressure Wheel	2	32	Plastic Roller	2
12	Shaft	1	33	Hexagon Socket Countersunk Head Screw M6x16	2
13	Circlip Ø20	2	34	Roller Base A	1
15	Camplate	1	35	Roller Base B	1
16	Rubber Pieces	2			
21	Compression Spring	1			

## SPECIFICATIONS

AL20AWJ	METRIC	IMPERIAL
Grip range	0 - 20 mm	0 - 0.8 in
Working load limit	1200 kg	2646 lbs
Net weight	21 kg	46.3 lbs
Gross weight	22 kg	48.5 lbs
Packaging dimensions	L.440 x W.150 x H.360 mm	17.3 x 5.9 x 14.2 in

# 02 SAFETY INSTRUCTIONS



## GENERAL

### PREPARATION

- ↗ **Training**  
The operator must be trained in all relevant industry and regulatory standards for operating the Lifter in their geographical location.
- ↗ **Manual Availability**  
Ensure the operator's manual is available and understood by all operators.
- ↗ **Load Specifications**  
Ensure the load does not exceed the W.L.L.

### PRE-USE CHECKS

- ↗ **Tests**  
Perform load tests to ensure the Lifter works well.
- ↗ **Obstructions**  
Ensure there are no obstructions during operation.
- ↗ **Locking Mechanisms**  
Ensure the locking mechanism on the Lifter is functioning correctly.
- ↗ **Connection Points**  
Inspect all connection points, including bolts, pins, and hooks, to ensure they are secure and cannot loosen during the operation.

### OPERATING INSTRUCTIONS

- ↗ **Personnel**  
Only competent and authorized personnel should operate the Lifter.
- ↗ **Protective Equipment**  
Operators must always wear appropriate protective equipment.
- ↗ **Weather Conditions**  
Avoid Lifer's operating in the rain or high humidity environment.
- ↗ **Lifting guide**  
Always ensure the Lifter is operated in the correct lifting direction. The outer camplate should be positioned in front of the stone slab during lifting. This positioning prevents the outer camplate from touching the slab behind it, reducing the risk of material dropping.

↗ **Controlled Movement**

Move the load slowly and smoothly, avoiding sudden movements that could destabilize or cause it to shift.

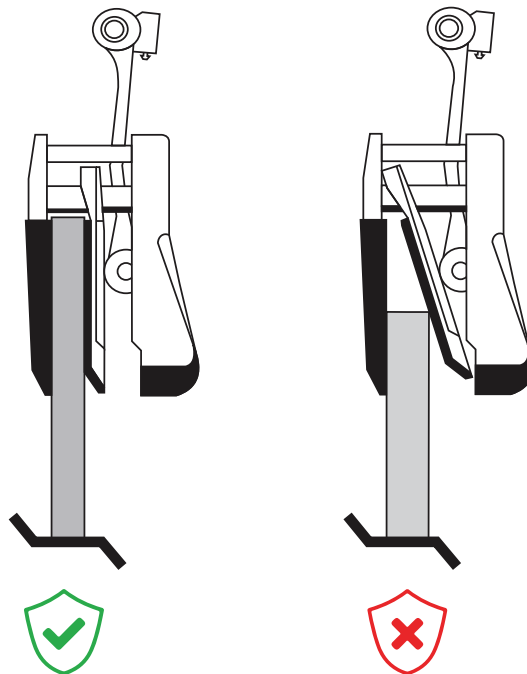
↗ **Load Handling**

Never lift a load over people. Ensure no one is under the load during lifting.

↗ **Damaged Equipment**

Do not operate a Lifter that is damaged, malfunctioning, or missing parts.

**SAFE AND UNSAFE METHOD OF GRIPPING SLABS**





## WARNINGS

### Always

**Wear Personal Protective Equipment:**

Always wear appropriate personal protective equipment suitable for handling materials.

**Check for Damage:** Always inspect the Lifter for damage, malfunctioning parts, or missing components before each use.

**Maintain Clean Surfaces:** Always ensure that the contact surfaces of the load and all rubber pads are clean before operating.

**Use Appropriate Load Characteristics:**

Always ensure the load is within the specified weight limit and is a single piece of non-porous material with a flat and relatively smooth contact surface.

**Conduct Regular Maintenance:** Always perform regular inspections and maintenance as outlined in the manual to ensure the Lifter is in good working condition.

**Follow Operating Procedures:** Always follow the specified operating procedures when lifting, rotating, or moving loads.

### Never

**Operate a Damaged Lifter:** Never operate a Lifter that is damaged, malfunctioning, or missing parts.

**Exceed Load Capacity:** Never exceed the Lifter's W.L.L or attempt to lift loads it is not designed for.

**Lift Unstable Loads:** Never attempt to lift a cracked or broken load or any load that does not meet the W.L.L

**Lift Over People:** Never lift a load over people or allow people to ride on the Lifter or the load.

**Leave Suspended Loads Unattended:** Never leave a suspended load unattended or lift it higher than necessary.

**Modify the Lifter:** Never modify the Lifter, as modifications may compromise its safety and performance.

**Use in Dangerous Environments:** Never use the Lifter in inherently dangerous environments or likely to compromise its ability to function, such as areas containing explosives or caustic chemicals.

# 03 USER INSTRUCTIONS

## OPERATING THE LIFTER

- ↗ Operating personnel must stand so that they always have a full view of raising/lowering movements of the lifting equipment and its load.
- ↗ Move the top of the slab out from the pack of slabs by using a pinch bar and wedge allowing enough room for the backplate of the clamp to pass between slab and pack of slabs. Do not move the top of the slab pass center of balance, keep the slab in an inclined position.
- ↗ Position the clamp squarely and in the center of the slab so that the load is balanced.
- ↗ Make sure that the slab is inserted full depth into the opening of the clamp.
- ↗ Release the locking latch so that the jaws will lock onto the slab when the lifting cable is raised.
- ↗ For the Aardwolf Slab Lifter Automatic: Is integrated an auto-lock, unlock Automatic mechanism which allows the clamp to automatically grip the slabs on pick-up and release the slabs on set down easier and safer.
- ↗ Lift the slab slowly to ensure the load is balanced.

**Warning!** Before lowering the load, make sure that there are no obstructions that the load or the clamp could unintentionally rest on. In this event, the clamp can drop the load.

**IMPORTANT:** Carefully observe the Safety instructions supplied with the lifting clamp.



# 04 MAINTENANCE

## Check

- ↗ Daily Inspection: Visually inspect the Lifter for wear, damage, or loose parts.
- ↗ Functional Test: Regularly test the auto-lock and unlock mechanisms.
- ↗ Load Test: Periodically perform a load test to ensure proper operation.

## Storage

- ↗ Proper Storage: Keep the Lifter in a dry, clean environment to prevent rust and corrosion.
- ↗ Protective Covers: Use covers for clamp plates and sensitive parts to protect from dust and debris.
- ↗ Temperature Control: Avoid extreme temperatures to preserve materials and performance.

## Clean

- ↗ Regular Cleaning: Wipe down daily, focusing on rollers, clamp plates, and the auto-lock mechanism.
- ↗ Deep Cleaning: Conduct monthly deep cleaning to remove any contaminants.
- ↗ Safe Cleaning Agents: Use only approved cleaning agents to protect rubber pads and components.

## Replace

- ↗ Component Replacement: Replace any worn or damaged parts as needed.
- ↗ Scan the QR code below for instructions on replacing key parts.



**SCAN HERE**

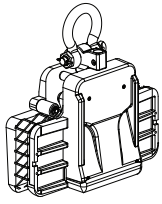
To see How to change  
the pin.



**SCAN HERE**

To watch Aardwolf Slab Lifter  
Maintenance video.

# 05 | PREVENTIVE MAINTENANCE CHECKLIST



By following maintenance checklists, you can help ensure that the Lifter operates safely and effectively for a long time.

## DAILY CHECKS

## WEEKLY CHECKS

## MONTHLY CHECKS

## ANNUAL CHECKS

Note:

Inspect the overall condition of the Lifter for any visible signs of damage or wear.

Clean rollers and clamp plates to remove any dust or debris that may interfere with operation.

Verify that the auto-lock and unlock mechanism engages and releases properly.

Ensure all bolts, screws, and moving parts are secure.

Perform a full operational test under load to verify that the Lifter is functioning correctly.

Inspect the rubber gripping pads for wear and replace if necessary.

Check for any signs of rust or corrosion on metal parts and treat accordingly.

Schedule a professional inspection by a certified technician.

Replace any parts that show signs of long-term wear, even if still operational.

Perform a comprehensive safety check to ensure the Lifter is compliant with safety regulations.

DAY	DATE	CHECKED									
Monday											
Tuesday											
Wednesday											
Thursday											
Friday											
Saturday											
Sunday											
Monday											
Tuesday											
Wednesday											
Thursday											
Friday											
Saturday											
Sunday											

*Note: Always refer to the specific maintenance manual provided by the manufacturer for more detailed instructions and safety information related to your particular model.*

# 06 TROUBLESHOOT

PROBLEM	LIKELY CAUSED BY	ACTION REQUIRE
Clamp fails to grip slab	The locking latch is not releasing properly.	Check the locking latch mechanism for obstructions or wear.
	The auto-lock mechanism is malfunctioning.	Inspect the auto-lock mechanism for damage or debris. Clean the area and test the functionality. If the issue persists, consider replacing the mechanism.
Slab slips during lifting	Insufficient grip due to worn rubber pads.	Inspect the rubber gripping pads for wear. Replace them if they are worn or damaged.
	Slab not fully inserted into the clamp.	Ensure the slab is inserted to its full depth in the clamp. Adjust positioning and retry the lift.
	The clamp is not positioned centrally on the slab.	Reposition the clamp so that it is centered on the slab and try lifting again.
Clamp does not lift or release slab	Load too heavy	Reduce the load. Ensure it does not exceed the lifter's maximum lifting capacity.
	Auto-lock mechanism is stuck or jammed.	Inspect the mechanism for any obstructions or mechanical faults.

**Note:** For serious issues or additional support, please get in touch with Aardwolf Technician Support at [info@aardwolf.com.au](mailto:info@aardwolf.com.au). Our experts are ready to assist with any complex problems to ensure your equipment operates smoothly.

# 07 WARRANTY



## PRODUCT CHECK AND REPORTING

Upon receiving the product, the buyer should verify, based on the spare parts list and attached spare drawings, that all spare parts are intact and not lost during shipment. Any damages or losses must be officially reported to Aardwolf Industries within eight days of purchase.



## WARRANTY INFORMATION

The product is covered by a 24-month warranty on mechanical components, starting from the date of purchase.

Other parts are covered by a 12-month warranty (excluding rubber components).

Rubber components and parts subject to normal wear are recommended to be inspected and replaced periodically to ensure performance and operational safety.



## WARRANTY EXCLUSIONS

The warranty coverage does not apply if:

- ✘ The Lifter is handled incorrectly during maneuvering.
- ✘ The user fails to comply with the instructions provided in the manual.
- ✘ The Lifter's maximum W.L.L is exceeded.
- ✘ The specifications for the load thickness are not followed.
- ✘ Damages result from inadequate maintenance and inspections.
- ✘ Damage is due to improper storage.
- ✘ Repairs are performed by the user without permission from Aardwolf Industries.
- ✘ Unofficial spare parts are used.



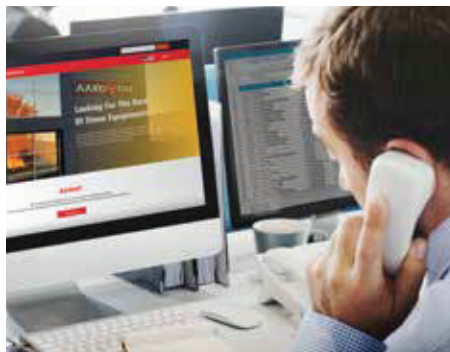
## DECLARATION OF CONFORMITY

We declare that the Lifter conforms to the following standards:

- ✘ The Machinery Directive 2006/42/EC
- ✘ Australian Standard 4991-2004

**Note:** It is the user's responsibility to comply with state or local laws. The end user is responsible for using the equipment safely, in the manner it is designed for, and within the unit's rated capacity.

# 08 AARDWOLF SERVICES



## GLOBAL CONTACT

Our sales network of local field representatives, international subsidiaries and trade partners ensures quick and competent information and consultation in 6 countries worldwide.

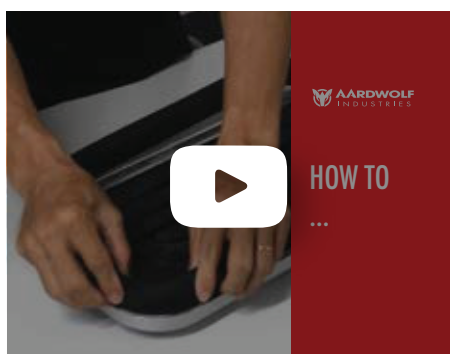
 [www.aardwolf.com.au](http://www.aardwolf.com.au)



## ONLINE DOCUMENTATION


Conveniently download catalogs and get comprehensive information about our products and services.

 [www.aardwolf.com.au/catalog.php](http://www.aardwolf.com.au/catalog.php)



## AARDWOLF PRODUCT VIDEOS

In short, easy-to-understand videos we explain the comprehensive functions offered by our products on our Youtube Channel. Take a look, it's worth it!

 [www.youtube.com/@Aardwolf.Industries](http://www.youtube.com/@Aardwolf.Industries)

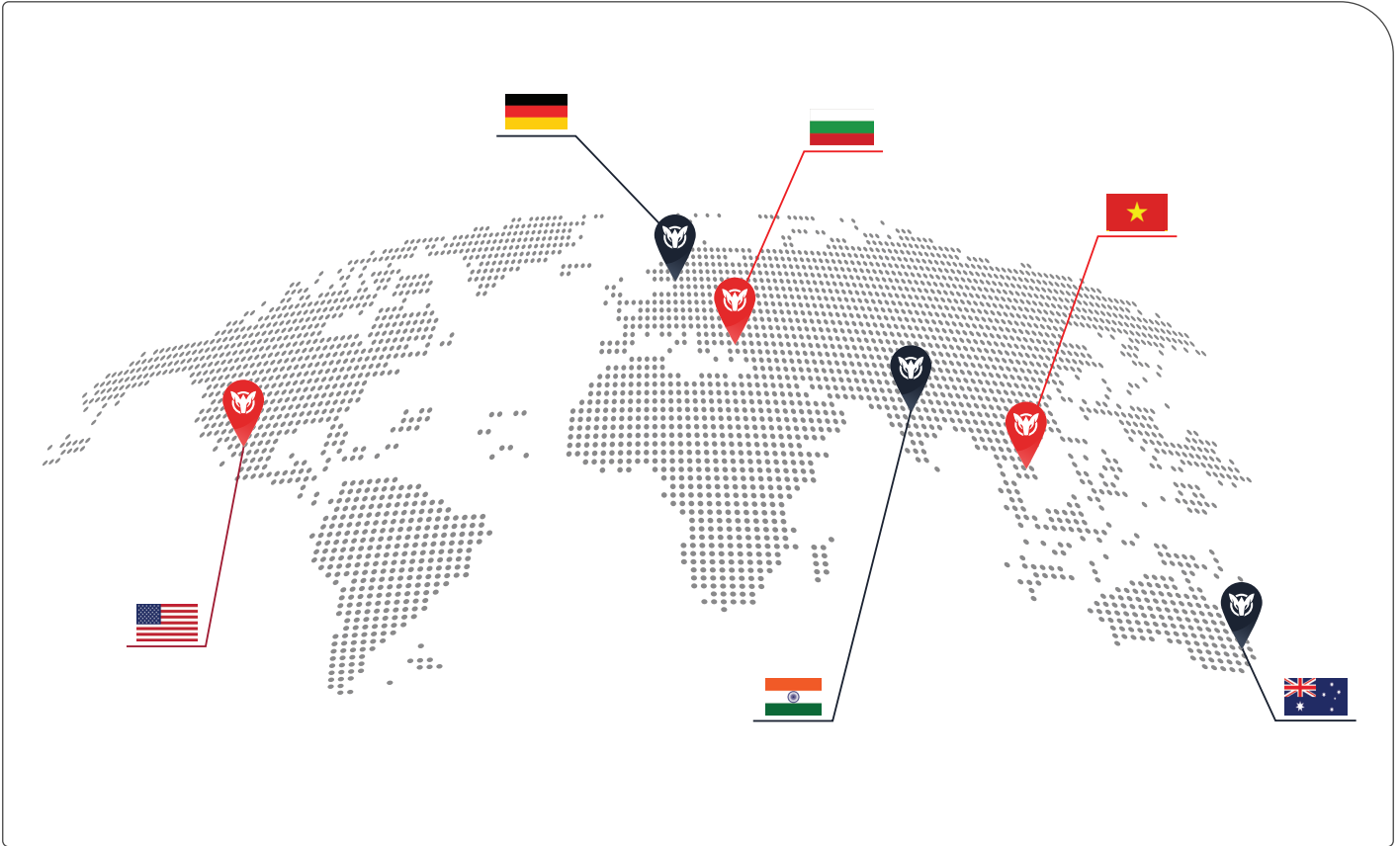


**OR SCAN HERE**

To visit our Youtube Channel

## WE PROVIDE

Simple, Reliable, Cost Saving And  
Awesome Ideas For Your Business



## FIND THE NEAREST AARDWOLF SERVICE CENTER

### AUSTRALIA

1/5 Stanton Road, Seven Hills NSW 2147  
Tel: 02 9838 8427  
Email: [sales@toolrange.com.au](mailto:sales@toolrange.com.au)  
Web: [www.aardwolfaustralia.com](http://www.aardwolfaustralia.com)

### BULGARIA

Str.Usta Kolio Ficheto 33  
Tel: +359 887 933 754  
Email: [adrian@toolrange.com](mailto:adrian@toolrange.com)

### GERMANY

Schulze-Delitzsch-Weg 2, 33175 Bad Lippspringe  
Tel: 05252 8382830  
Email: [sales@toolrange.com.de](mailto:sales@toolrange.com.de)

### INDIA

Harmara Road, Industrial Area, Madanganj, Kishangarh,  
District- Ajmer, Rajasthan India 305801  
Tel: +91 73000 68444  
Email: [sales@aardwolf.co.in](mailto:sales@aardwolf.co.in)  
Web: [www.aardwolf.co.in](http://www.aardwolf.co.in)

### USA

9401 Norwalk Blvd, Santa Fe Springs, CA 90670  
Tel: (562) 553-6050  
Email: [sales@aardwolfusa.com](mailto:sales@aardwolfusa.com)  
Web: [www.aardwolfusa.com](http://www.aardwolfusa.com)

### VIETNAM

1B, An Phu, Thuan An City, Binh Duong Province, Vietnam  
Tel: +84 931 707 793  
Email: [info@aardwolf.com.au](mailto:info@aardwolf.com.au)  
Web: [www.aardwolf.com.au](http://www.aardwolf.com.au)

