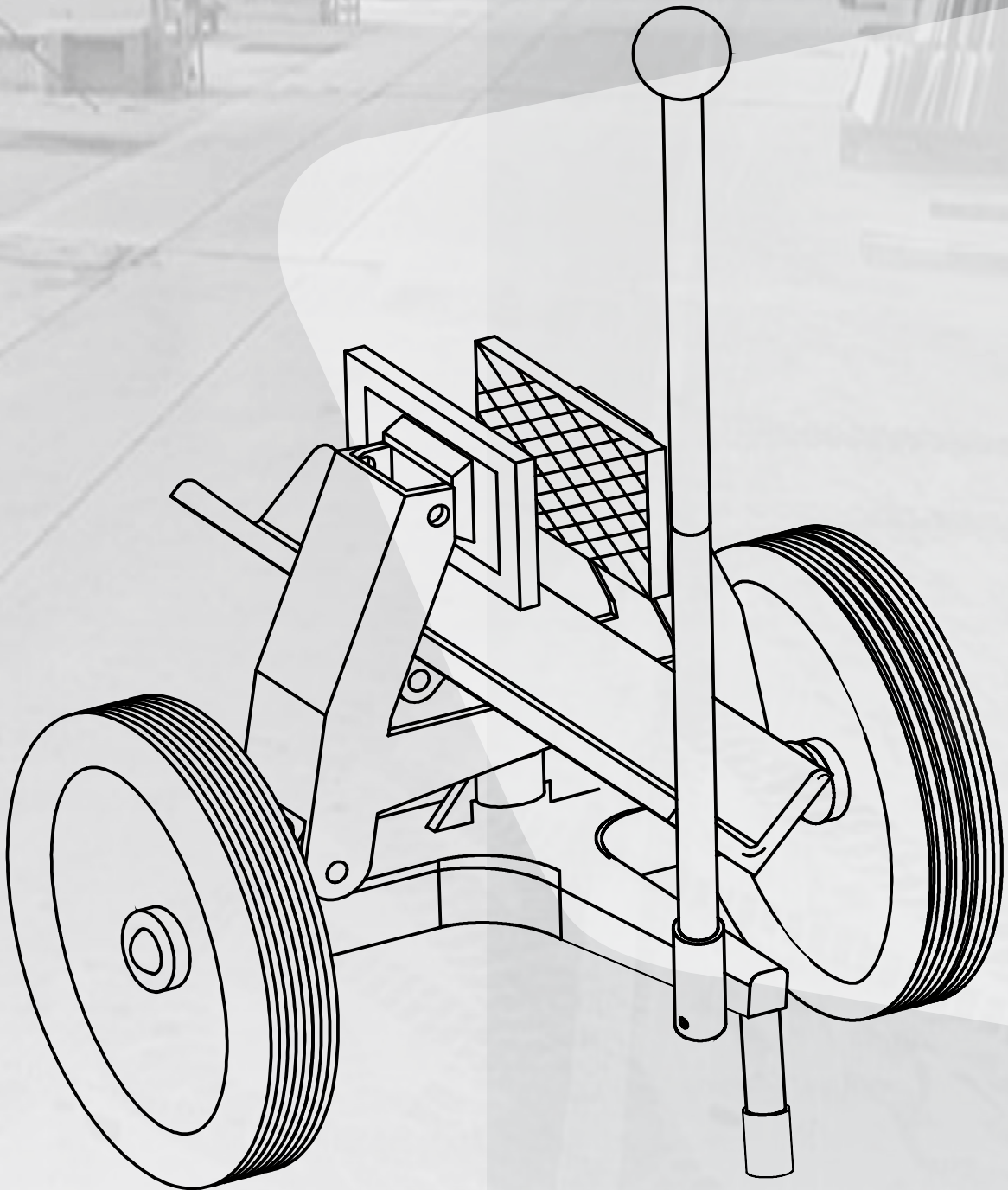


# TROLLEYS HAND TRUCKS





## TROLLEYS

001	Slab Trolley AST01
002	Load Master ALM01
003	Quad Trolley AQT01
004	Broad Trolley ABT01
005	Self-Locking Trolley SL60
006	Self-Locking Trolley SL85
007	Self-Locking Trolley SL100
008	Self-Locking Trolley SL155

## HAND TRUCKS

001	Hand Truck Mod. AHT-500
002	Hand Truck Mod. AHT-750
003	Hand Truck Mod. AHT-750H
004	Hand Truck Mod. AHPT-750
005	Hand Truck Mod. AHPT-1000
006	Hand Truck Mod. AHPT-1000A
007	Front Trolley AFT01
008	Transport Truck AHTC-750
009	Transport Truck AHTC-1500



## SLAB TROLLEY

**AST01**

Slab carrying trolley with solid rubber wheels. The body has vulcanized rubber on the bottom, sides, and top to avoid chipping the edges of finished workpieces. Ideal for moving slabs in the shop and on building sites.

- Bottom, sides and top edges of the channel are rubber padded



## LOAD MASTER

**ALM01**

Long slab carrying trolley with 2 pneumatic rubber wheels with swivel casters. The offset axle allows the caster to share the weight. The body has a vulcanized rubber bottom, sides and top to avoid chipping the edges of finished workpieces. Designed to move small drops and cut-to-size pieces. Perfect for job sites where tight turning radius and narrow width are important.



## QUAD TROLLEY

**AQT01**

Four-wheel slab carrying trolley with vulcanized rubber on the bottom, sides, and top to avoid chipping the edges of finished workpieces. Often preferred because of its extra stability.

- 2 solid rubber wheels at the back
- 2 swivel wheels at the front
- Bottom, sides and top edges of the channel are rubber padded



## BROAD TROLLEY

**ABT01**

Large trolley with pneumatic back wheels. Vulcanized rubber on the bottom, sides, and top of the support plate to avoid chipping the edges of finished workpieces. Ideal for moving door frames and other wide material.

- 2 pneumatic rubber tires at the back
- 2 swivel wheels at the front



PRODUCT CODE	AST01		ALM01		AQT01		ABT01	
Rubber wheel	205 mm	8 in	350 mm	13.8 in	265 mm	10.4 in	350 mm	13.8 in
Working load limit	300 kg	661 lb	400 kg	882 lb	300 kg	661 lb	450 kg	992 lb
Support plate channel	402 x 80 x 41 mm		858 x 80 x 41 mm		550 x 80 x 41 mm		854 x 212 x 50 mm	
	15.8 x 3 x 1.6 in		33.8 x 3.1 x 1.6 in		21.7 x 3 x 1.6 in		33.6 x 8.3 x 2 in	
Net weight	8 kg	18 lb	15 kg	33 lb	17 kg	37 lb	28 kg	61.7 lb

The automatic clamping feature allows the trolley to move and transport heavy slab materials in a flexible and easy manner. Pneumatic wheels with a high grip meet the demand for transport on every terrain from even to rough.

- Grips material automatically and securely.
- Easily moves the materials.
- Clamping supports and base are rubber padded.



PRODUCT CODE	SL60		SL85		SL100		SL155	
Grip range	0-60 mm	0 - 2 in	0-85 mm	0 - 3 in	0-100mm	0 - 4 in	0-155mm	0 - 6 in
Rubber wheel	265 mm	10.4 in	400 mm		15.7 in			
Support plate channel			500 mm		19.7 in			
Working load limit			400 kg		882 lb			
Net weight	14 kg	31 lb	26 kg	57 lb	28 kg	62 lb	30 kg	66 lb



**AHT-500**

Light and maneuverable, but still very robust tubular construction, handy plastic grips, rubber-coated bars, and blade.



**AHT-750**

Robust steel construction, wooden bearing surface, rubber grips, and rubber-coated plate. Stationing supports.



**AHT-750H**

Robust steel construction, wooden bearing surface, rubber grips, and rubber-coated plate. Stationing supports.



**AHPT-750**

Universal hand truck with a displaced center of gravity. Stationing supports. Tilting claws with galvanized or rubber coating.



**AHPT-1000**

Universal hand truck with a displaced center of gravity and robust tubular construction.



**AHPT-1000A**

Wooden bearing surface, tilting claws, with galvanized or rubber coating. Special pneumatic wheels 6 PLY for high-load capacity.





### FRONT TROLLEY AFT01

As an indispensable attachment to a truck, the Front Trolley is designed to convert a trolley into a platform truck.



### TRANSPORT TRUCK AHTC-750

Four-wheel truck with tilting platform. Steering by means of a ball-type turntable. Tilting claws, parking brake on the tow-bar. When changing from a vertical to the horizontal position, the wooden bearing surface is automatically locked.



### AHTC-1500

Four-wheel truck with tilting platform. Steering by means of a ball-type turntable. Tilting claws, parking brake on the tow-bar. When changing from a vertical to the horizontal position, the wooden bearing surface is automatically locked. Robust wheels for higher load capacity.

PRODUCT CODE	AHT500		AHT750		AHT-750H	
Height	338 mm	13.3 in	1260 mm	49.6 in	1360 mm	53.5 in
Track width	580 mm	22.8 in	580 mm	22.8 in	620 mm	24.4 in
Blade dimensions	580 x 210 mm		420 x 80 mm		420 x 60 mm	
	22.8 x 8.3 in		16.5 x 3.1 in		16.5 x 2.4 in	
Pneumatic wheel diameter	265 mm		250 x 75 mm		400 x 95 mm	
			9.8 x 3 in		15.7 x 3.7 in	
Working load limit	500 kg	1102 lb	750 kg	1653 lb	750 kg	1653 lb
Net weight	37.5 kg	82.7 lb	25 kg	55 lb	29 kg	64 lb

PRODUCT CODE	AHPT750		AHPT1000		AHPT1000A		AFT01	
Height	1308 mm	51.5 in	1585 mm	62.4 in	1585 mm	62.4 in	1520 mm	59.8 in
Track width	630 mm	24.8 in	700 mm	27.6 in	700 mm	27.6 in	600 mm	23.6 in
Blade dimensions	360 x 100 mm		420 x 90 mm		420 x 90 mm		-	
	14.2 x 3.9 in		16.5 x 3.5 in		16.5 x 3.5 in			
Pneumatic wheel diameter	350 x 90 mm		400 mm	15.7 in	400 mm	15.7 in	260 x 85 mm	
	13.8 x 3.5 in						10.2 x 3.3 in	
Working load limit	750 kg	1653 lb	1000 kg	2204 lb	1000 kg	2204 lb	1250 kg	2756 lb
Net weight	29.8 kg	65.7 lb	37.8 kg	83 lb	36.8 kg	81 lb	20 kg	44 lb



PRODUCT CODE	AHTC1500		AHTC750	
Long	1734 mm	68.3 in	1400 mm	55.1 in
Track width	685 mm	27 in	580 mm	22.8 in
Blade dimension	470 x 120 mm		355 x 130 mm	
	18.5 x 4.7 in		14 x 5 in	
Pneumatic wheel diameter	400 mm	15.7 in	265 mm	10.4 in
Working load limit	1250 kg	2756 lb	750 kg	1653 lb
Net weight	83.7 kg	184.5 lb	56.8 kg	125 lb

# HAND PALLET TRUCK



TRUCK WEIGHT 73 KG



LIFTING HEIGHT 200MM



CAPACITY 3000 KG



**FIND YOUR NEAREST AARDWOLF FACTORY  
SERVICE CENTRE NEAR YOU**

## WE ARE PROVIDING

SIMPLE, REALIABLE, COST SAVING  
AND AWESOME IDEAS FOR YOUR BUSINESS



### AUSTRALIA

1/5 Stanton Road, Seven Hills NSW 2147

Tell: 02 9838 8427

www.aardwolfaustralia.com Email: enquiries@aardwolfaustralia.com

**BULGARIA** Str.Usta Kolio Ficheto 33 Tell: +359 887 933 754

### INDIA

Harmara Road, Industrial area, Madanganj, Kishangarh, Rajasthan n India

Pin no. 305801 Mob: +91 73000-68444 Tell: +91 9358448474

Web: www.aardwolf.co.in Email: sales@aardwolf.co.in

### GERMANY

Schulze-Delitzsche Weg 2, 33175 Bad Lippspringe

Tell: 05252 8382830

### USA

19201 South Reyes Avenue, Suite A3 Rancho Dominguez California,

Tell: (562) 553-6050 90221

Web: www.aardwolfusa.com Email: leo@aardwolfusa.com

### VIETNAM

1B, An Phu, Thuan An City, Binh Duong Province, Vietnam

Tell: +84 931 707 793

Web: www.aardwolf.com.au Email: info@aardwolf.com.au

AARDWOLF PRODUCT VIDEO  
www.youtube.com/user/AardwolfGroup

