

# JIB CRANES



# PORTABLE

# GANTRY CRANE

## AGC-1000

- **BEST QUALITY**
- **EASY MOVED**
- **HIGH QUALITY**
- **EFFICIENT WORK**

Maximum span:	3100 mm		122 in
Working load limit:	1000 kg		2204 lb

Made of aluminum, the Aardwolf Portable Gantry Crane is lightweight, portable and stable under load. No permanent installation is required.

This device provides an economical lifting solution to lift materials inside the Portable Gantry Crane. This equipment can be used on construction sites as well as in factories. It has the ability to be adjusted in height, allowing users to use it for various purposes, such as transporting, lifting, lowering slab materials in different heavy-duty conditions. The height adjustment of the crane can be attained by using hand-wind handles supplied with the crane or by the use of a battery-powered drill.

**Portable:** The Gantry Crane is able to reach all corners of the plant. Attached to lifting equipment, the crane is easy to lift heavy loads.

**Adjustable:** The height of the Gantry Crane is adjustable up to 3.1m. This gives operators flexibility in operation.

**Versatile:** Thanks to its ability to be easily and quickly assembled and disassembled, the Gantry Crane is easily transported or relocated, making it ideal for workflow changes.



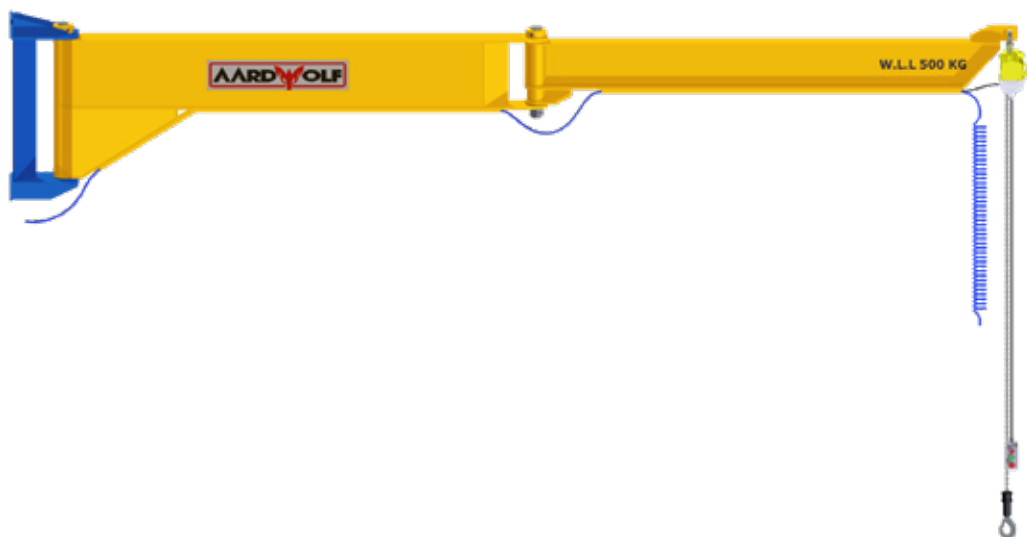
# ARTICULATED JIB CRANE

With the ability to operate in constrained spaces and around obstructions, the Articulating Jib Crane - Column Mounted and the Articulating Jib Crane - Wall Mounted can provide a simple and economical solution to these problems. These device can be combined with a vacuum lifter and an electric hoist to meet your specific needs.

- Spherical Sealed Roller Bearing Pivot
- Rotate by 270° or 360° with a large work envelope
- Highly durable design



**COLUMN  
MOUNTED**  
**CMA01**



**WALL  
MOUNTED**  
**AJCAWM**



#### Machine Specific

Each assessment shows operators demonstrate competence on a specific crane model.



#### Impartial

Video evidence is captured during the assessment and can be referenced globally in the future.



#### Peer Assessment

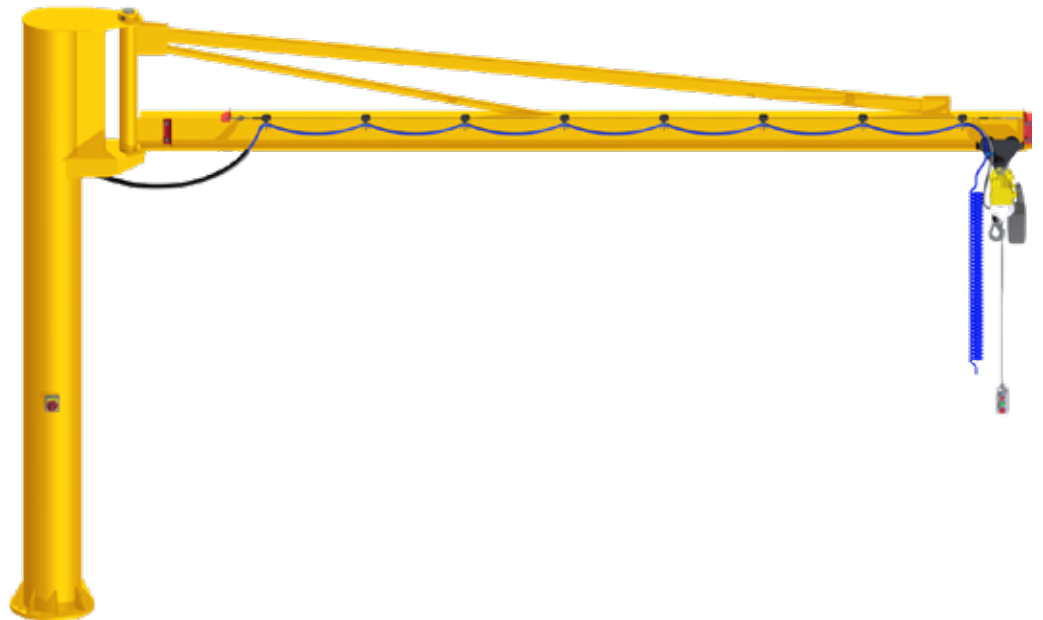
Operators know the machines they operate the best.

PRODUCT CODE	CMA01		AJCAWM	
Maximum spans	7000 mm	276 in	5000 mm	197 in
Working load limit	500 kg	1102 lb	500 kg	1102 lb
Power supply	220V 1-phase 50-60Hz			

# OVER BRACED JIB CRANE

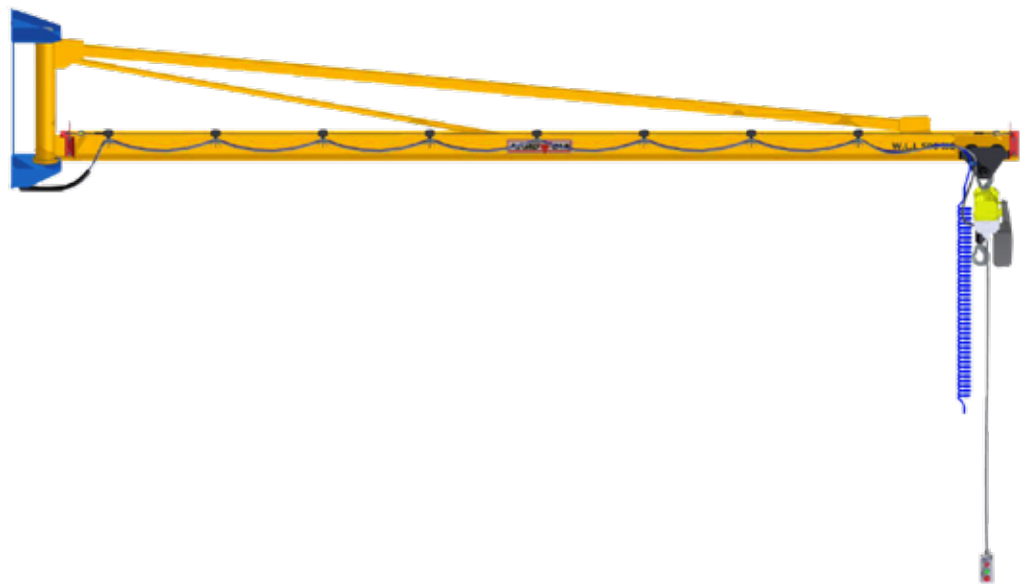
The Over Braced Jib Crane - Column Mounted provides economical hook coverage with 270° manual rotation. The over-braced, free-standing jib is useful where overhead cranes are not practical or feasible. This type of jib crane gives 270° floor coverage, allowing unrestricted placement of machinery and equipment. This device can be combined with a vacuum lifter and an electric hoist to meet your specific needs.

## COLUMN MOUNTED AJCOCM



- Sealed roller-bearing pivot
- Highly durable design
- Over-braced design protects running surface from dirt for minimal resistance
- Easy moving hoist trolley
- Rubber end stop

## WALL MOUNTED AJCOWM



The Over Braced Jib Crane Wall Mounted provides economical hook coverage with 180° manual rotation. This device is easy to attach to any substantial structural steel building column, at any desired height. The crane has a structural steel finish, in highly visible yellow enamel.

- Sealed roller-bearing pivot
- Highly durable design
- Rubber end stops
- Crane boom is fabricated out of a steel I-beam
- Easy moving hoist trolley

PRODUCT CODE	AJCOCM		AJCOWM	
Maximum spans	7000 mm	276 in	6000 mm	236 in
Working load limit	1000 kg	2204 lb	500 kg	1102 lb
Power supply	220V 1-phase 50-60Hz			

# 360° ROTATION

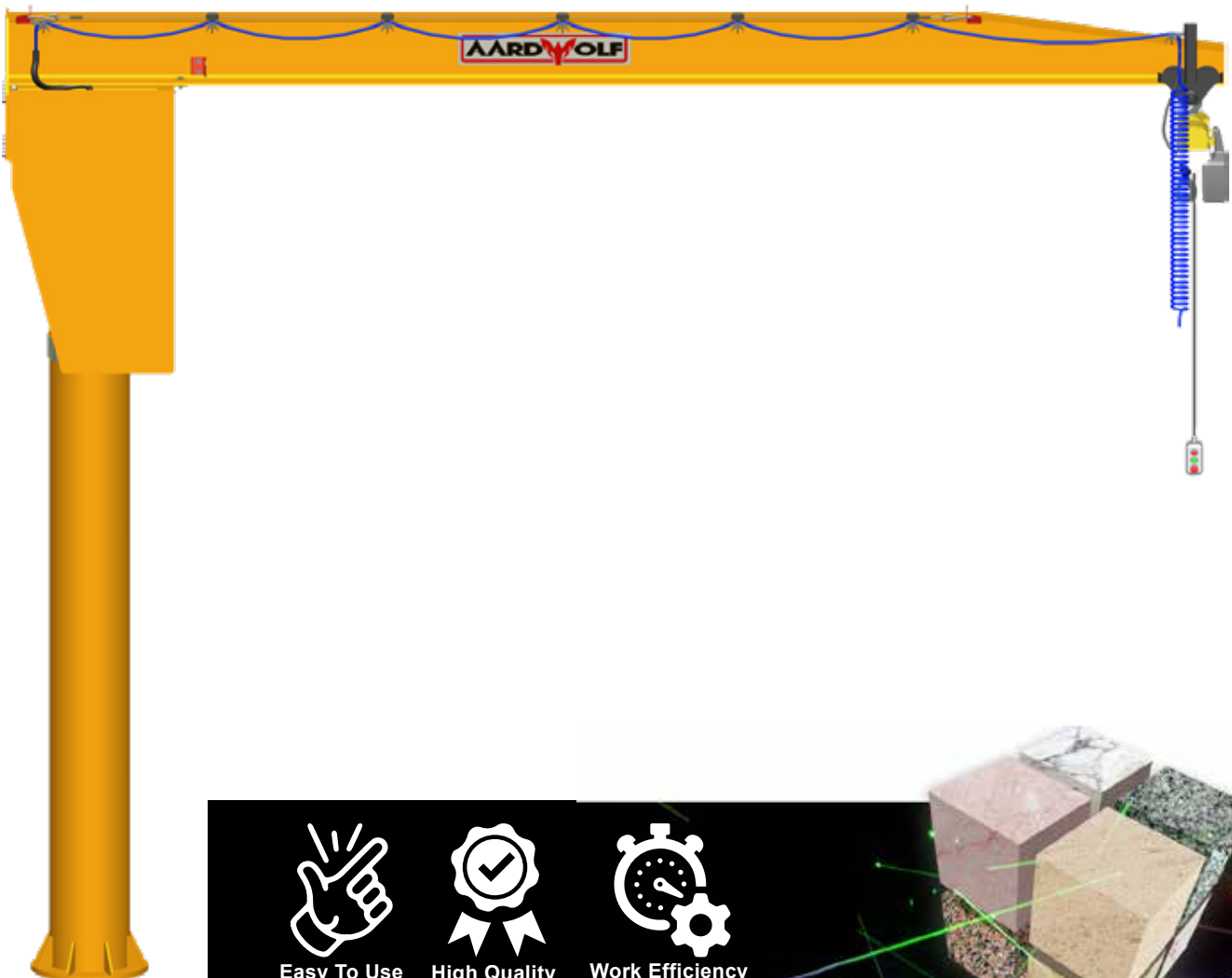
# PILLAR MOUNTED JIB CRANE

## AJCPIIL

Heavy-duty floor-mounted jib crane designed to provide reliable, long-life performance with minimal maintenance. This free-standing jib crane provides 360° rotation. The jib crane boom is fabricated out of a steel I-beam. A machined lower roller carriage is housed in the jib crane head section that features heavy steel side plates. The lower roller carriage is mounted on adjustable tension bolts to allow for field adjustments. The support column for the jib crane is constructed out of steel pipe with a heavy base plate and reinforcing gussets.

The 360° Rotation - Pillar Mounted Jib Crane can be combined with a vacuum lifter and an electric hoist to meet your specific needs.

- Highly durable design
- Easy moving hoist trolley
- Rubber end stops
- Maximum span: 6000 mm | 236 in
- Working load limit: 2000 kg | 4409 lb
- Power supply: 220V 1-phase 50-60Hz



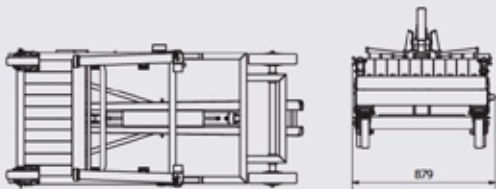
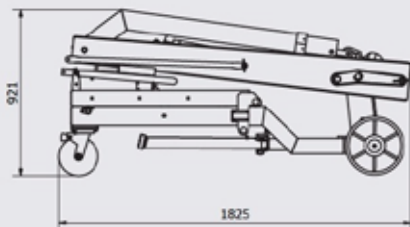
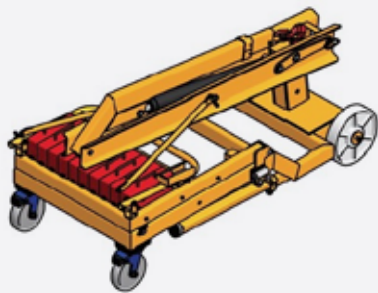
# COUNTERBALANCE CRANE

## AMCC

The Manual Counterbalanced Crane has an adjustable boom to allow for maximum adjustment and versatility to lift a variety of loads. The boom is raised via a hydraulic hand pump. The counterbalance design eliminates the need for front legs. This makes the unit easier to manoeuvre and allows the crane to reach tight, hard to reach areas.

Fitted with hard-wearing, high-capacity nylon front wheels, this device can pick and carry loads and be pushed on a flat surface to transport materials on solid paved surfaces.

- An integral counterweight
- Extended: Length: 1700 x Height: 2760 mm | 67 x 109 in
- Folds down for easy transportation
- Working load limit: 540 kg | 1190 lb
- Net weight: 550 kg | 1667 lb



# POWERED

# COUNTERBALANCE CRANE

## APCC

The Aardwolf Counterbalanced Floor Crane has an adjustable boom to allow for maximum adjustment and versatility to lift a variety of loads. Boom is raised via a 12V battery-powered hydraulic pump. Boom also telescopes out for greater reach. The counterbalance design eliminates the need for front legs. This makes the unit easier to manoeuvre and allows the crane to reach tight, hard to reach areas.

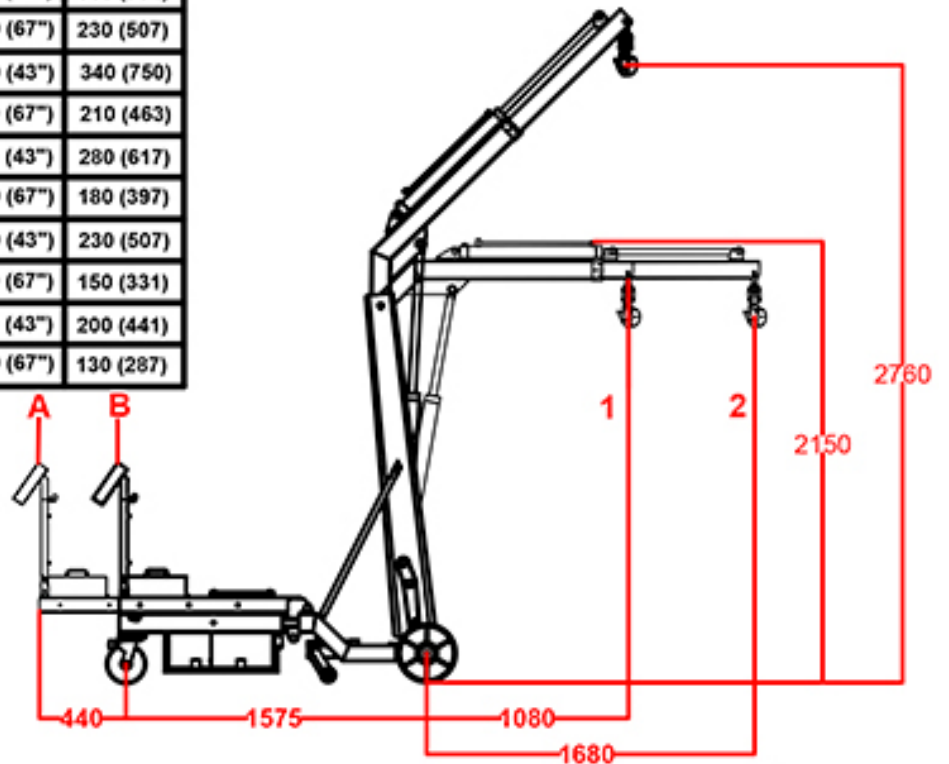
Fitted with hard-wearing, high capacity nylon front wheels, this counterbalanced floor crane can pick and carry loads and be pushed on a flat surface to transport materials on solid paved surfaces.

- An integral counterweight.
- An easy to operate hydraulically lifted extending boom.
- Folds down for easy transportation.
- Extended: Length: 1700 x Height: 2760 mm | 67 x 109 in
- Maximum spans: 6000 mm | 236 in
- Working load limit: 540 kg | 1190 lb
- Power supply: 220V 1-phase 50-60Hz



# POWERED COUNTERBALANCE CRANE APCC

Counterweight Options	Balance Positions	Hook Positions	Length mm (inch)	Capacity Kgs (Lbs)
400 Kgs	POS. A	POS. 1	1100 (43")	540 (1191)
		POS. 2	1700 (67")	350 (772)
	POS. B	POS. 1	1100 (43")	440 (970)
		POS. 2	1700 (67")	290 (639)
300 Kgs	POS. A	POS. 1	1100 (43")	440 (970)
		POS. 2	1700 (67")	280 (617)
	POS. B	POS. 1	1100 (43")	360 (794)
		POS. 2	1700 (67")	230 (507)
200 Kgs	POS. A	POS. 1	1100 (43")	340 (750)
		POS. 2	1700 (67")	210 (463)
	POS. B	POS. 1	1100 (43")	280 (617)
		POS. 2	1700 (67")	180 (397)
100 Kgs	POS. A	POS. 1	1100 (43")	230 (507)
		POS. 2	1700 (67")	150 (331)
	POS. B	POS. 1	1100 (43")	200 (441)
		POS. 2	1700 (67")	130 (287)



COUNTER BALANCES CRANE		
Lifting Speed (mm/s)		$\geq 50$
Lowering Speed (mm/s)		Controllable
Lifting Motor		12V / 1600W
Battery		12V / 150Ah
Charge (Input / Output)		220V / 12V
Packing Dimension	Length	1840 mm
	Width	860 mm
	Height	930 mm
Overall Dimension	Length	3750 mm
	Width	1980 mm
	Height	2800 mm
Wheel	Load Wheel Diameter	300 mm
	Driving Wheel Diameter	200 mm



# POWERED

# COUNTERBALANCE CRANE WITH LATERAL MOVEMENT APCCL

The Powered Counterbalance Crane with Lateral Movement has an adjustable boom to allow for maximum adjustment and versatility to lift a variety of loads. The boom is raised via a 12V battery-powered hydraulic pump. The boom also telescopes out for greater reach. The counterbalance design eliminates the need for front legs. This makes the unit easier to manoeuvre and allows the crane to reach tight, hard to reach areas.

Fitted with hard-wearing, high-capacity nylon front wheels, this device can pick and carry loads and be pushed on a flat surface to transport materials on solid paved surfaces.

- Extra hydraulic cylinder for lateral movement of the front axil. An integral counterweight
- An easy to operate hydraulically lifted extending boom
- Folds down for easy transportation
- Extended: Length: 1700 x Height: 2760 mm  
67 x 109 in
- Working load limit: 540 kg | 1190 lb
- Net weight: 830 kg | 1830 lb



## BATTERY INFORMATION FOR THE DEVICE:

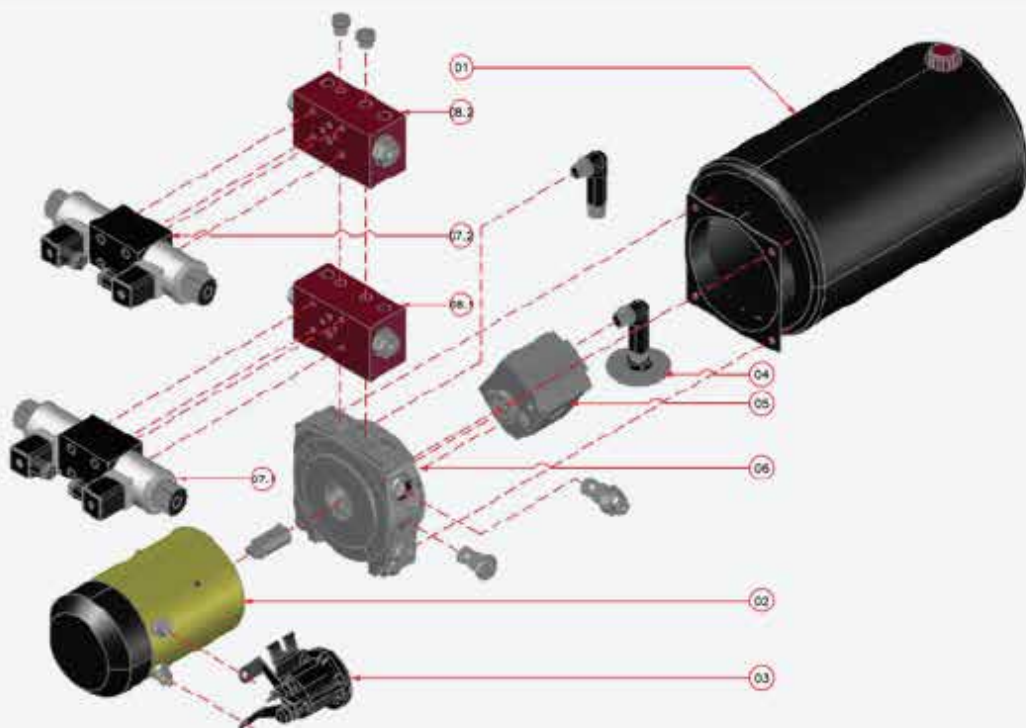
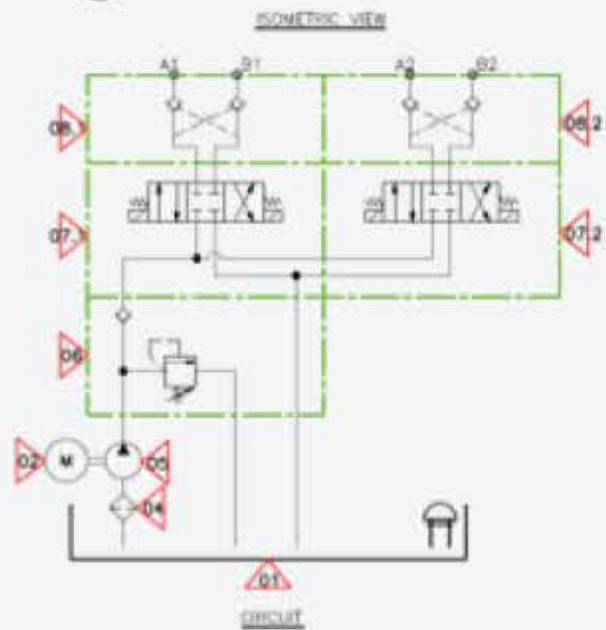
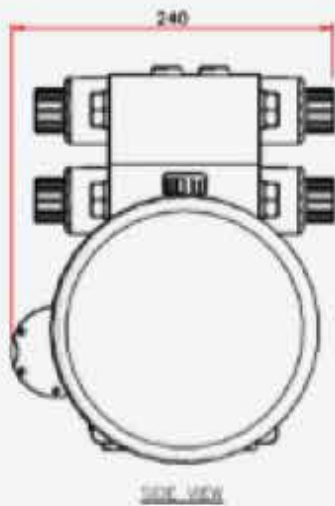
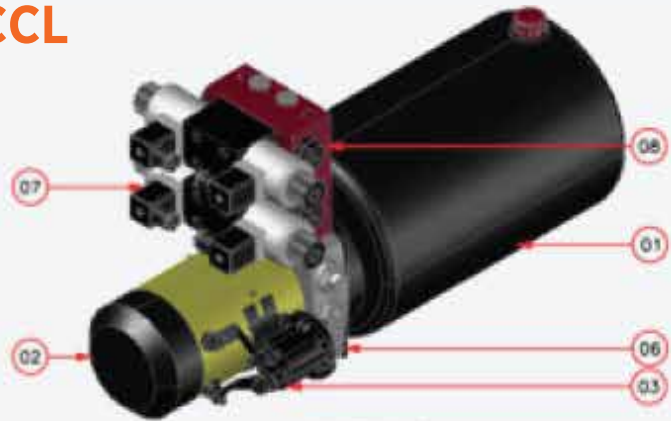
- Power supply: 12v 150A battery
- Charging requirements: 12V 20A
- 6-month warranty
- Charging time: 7.5 hours
- Non-stop working time: 2.1 hours

## MOTOR INFORMATION

- Motor: 12V 1.6KW 2500rpm
- Pump: 1.6cc/rev
- Tank: 8 liters

# INFORMATION ON HYDRAULIC POWER PACK-HMP SERIES

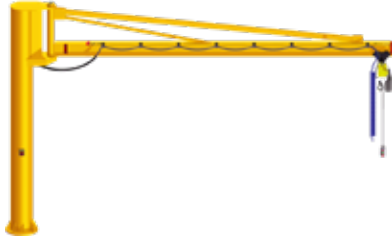
FOR **AMCC - APCC - APCCL**



**CMA01**



**AJCOCM**



**AGC-1000**



**AMCC**



**APCC**



**APCCL**





**AARDWOLF**  
INDUSTRIES LLC

## WE ARE PROVIDING

SIMPLE, REALIABLE, COST SAVING  
AND AWESOME IDEAS FOR YOUR BUSINESS



AARDWOLF PRODUCT VIDEO  
[www.youtube.com/user/AardwolfGroup](http://www.youtube.com/user/AardwolfGroup)



## FIND YOUR NEAREST AARDWOLF FACTORY SERVICE CENTRE NEAR YOU

### AUSTRALIA

1/5 Stanton Road, Seven Hills NSW 2147

Tell: 02 9838 8427

[www.aardwolfaustralia.com](http://www.aardwolfaustralia.com) Email: [enquiries@aardwolfaustralia.com](mailto:enquiries@aardwolfaustralia.com)

**BULGARIA** Str.Usta Kolio Ficheto 33 Tell: +359 887 933 754

### INDIA

Harama Road, Industrial area, Madanganj, Kishangarh, Rajasthan n India  
Pin no. 305801 Mob: +91 73000-68444 Tell: +91 9358448474

Web: [www.aardwolf.co.in](http://www.aardwolf.co.in) Email: [sales@aardwolf.co.in](mailto:sales@aardwolf.co.in)

### GERMANY

Schulze-Delitzsche Weg 2, 33175 Bad Lippspringe

Tell: 05252 8382830

### USA

19201 South Reyes Avenue, Suite A3 Rancho Dominguez California,

Tell: (562) 553-6050

90221

Web: [www.aardwolfusa.com](http://www.aardwolfusa.com)

Email: [leo@aardwolfusa.com](mailto:leo@aardwolfusa.com)

### VIETNAM

1B, An Phu, Thuan An City, Binh Duong Province, Vietnam

Tell: +84 931 707 793

Web: [www.aardwolf.com.au](http://www.aardwolf.com.au)

Email: [info@aardwolf.com.au](mailto:info@aardwolf.com.au)