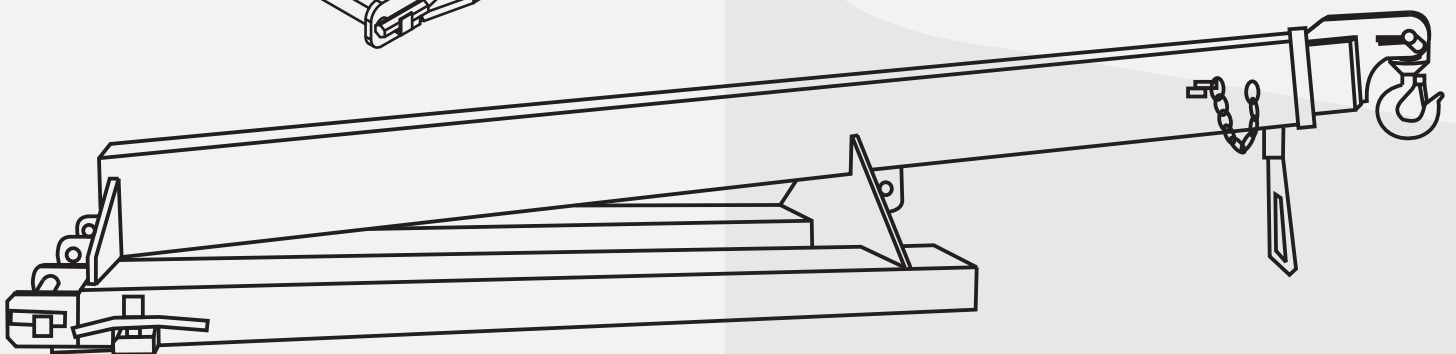
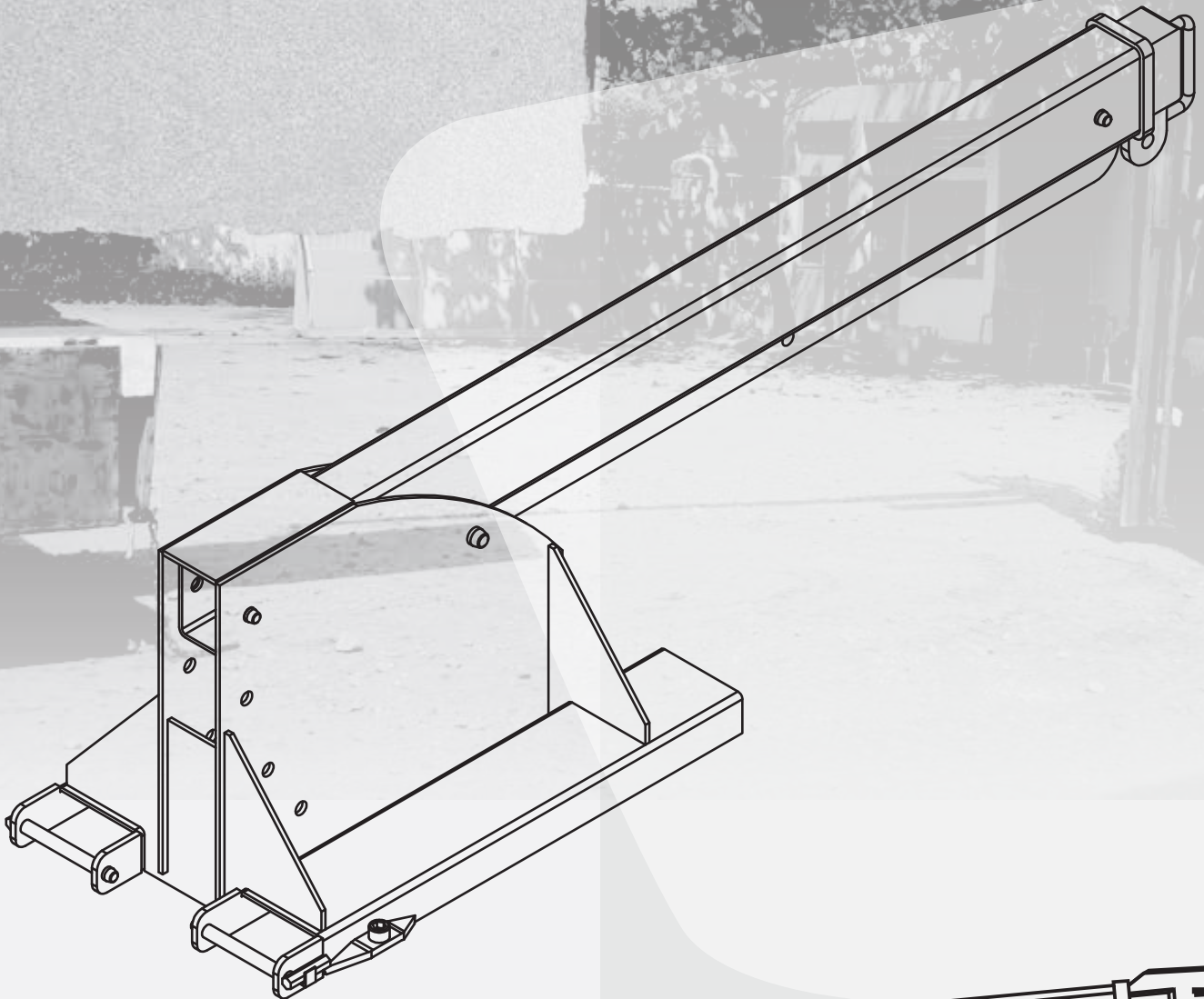


FORKLIFT BOOMS & ACCESSORIES



FORKLIFT BOOMS - STANDARD DESIGN

FB1-2720



FB2-3580



FB3-5380



FB4-4800



PRODUCT CODE	SLIP ONTO FORKS	FORK POCKETS	MANUALLY TELESCOPES	INCREMENT	WORKING LOAD LIMIT	NET WEIGHT
FB1-2720	150 X 58 MM	366 MM	1610 - 2724 MM	557 MM	500 - 1500 KG	91 KG
FB2-3580	165 X 65 MM	377 MM	2107 - 3580 MM	491 MM	600 - 1500 KG	136 KG
FB3-5380			2196 - 5380 MM	796 MM	300 - 2400 KG	163 KG
FB4-4800	193 X 81 MM	520 MM	2800 - 4800 MM	1000 MM	1000 - 3000 KG	198 KG

FORKLIFT BOOMS - LOW PROFILE DESIGN

The Forklift Booms have a low profile design specifically intended for unloading marble and granite sheets from closed van containers where height is a critical factor.

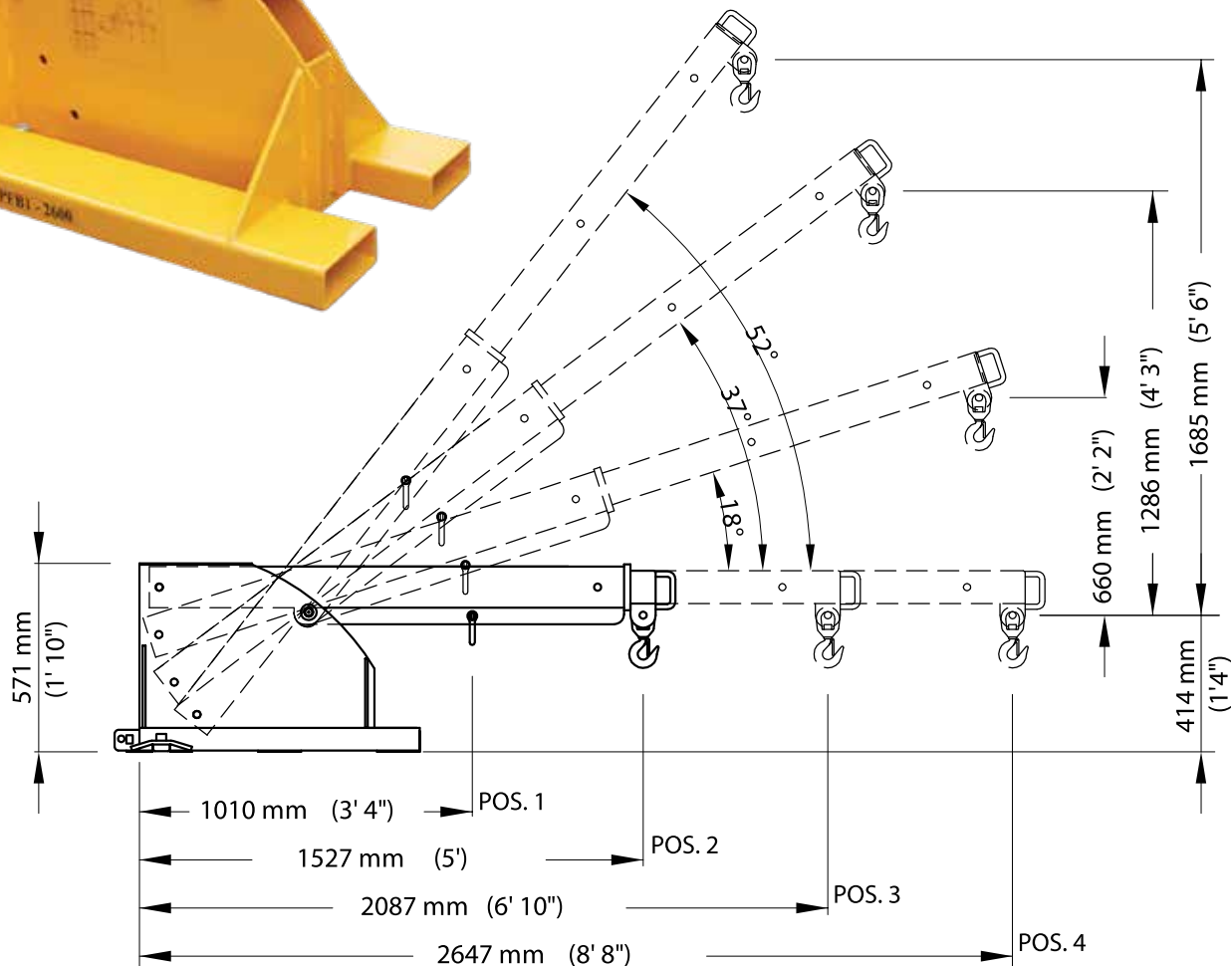
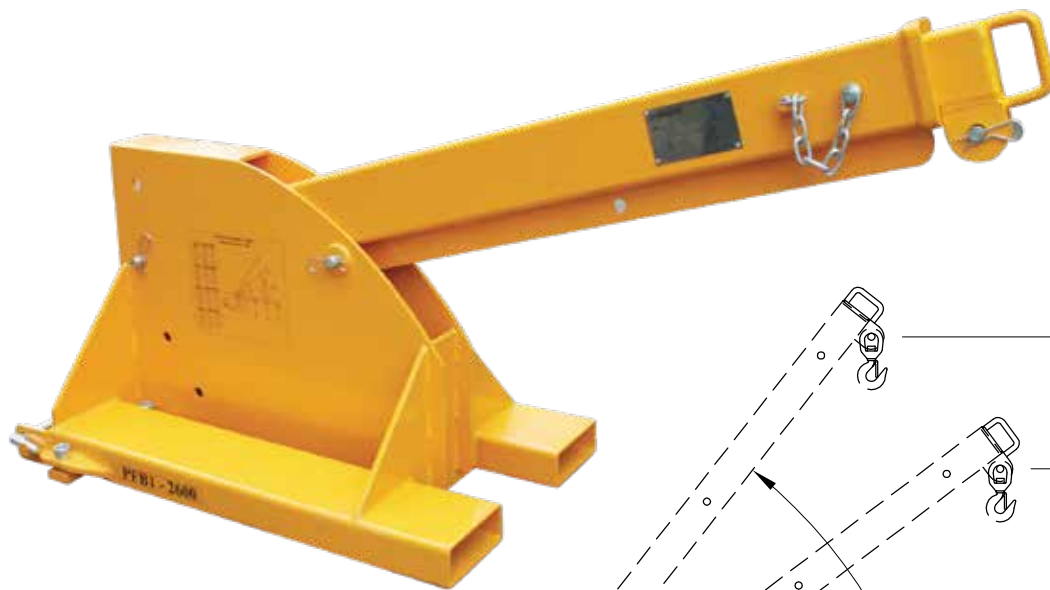
The Forklift Booms are a telescoping two section rectangular tube steel boom built to comply with current safety guidelines and manufactured from heavy gauge Australian rectangular tube steel, AS1163-450 LO, which ensures strength, reliability, and safety.



PRODUCT CODE	SLIP ONTO FORKS	FORK POCKETS	MANUALLY TELESCOPES	INCREMENT	WORKING LOAD LIMIT	NET WEIGHT
FB2LP-3600	165 X 65 MM	377 MM	2121 - 3603 MM	494 MM	600 - 2400 KG	134 KG
FB3LP-5420			2210 - 5410 MM	800 MM	300 - 2400 KG	162 KG



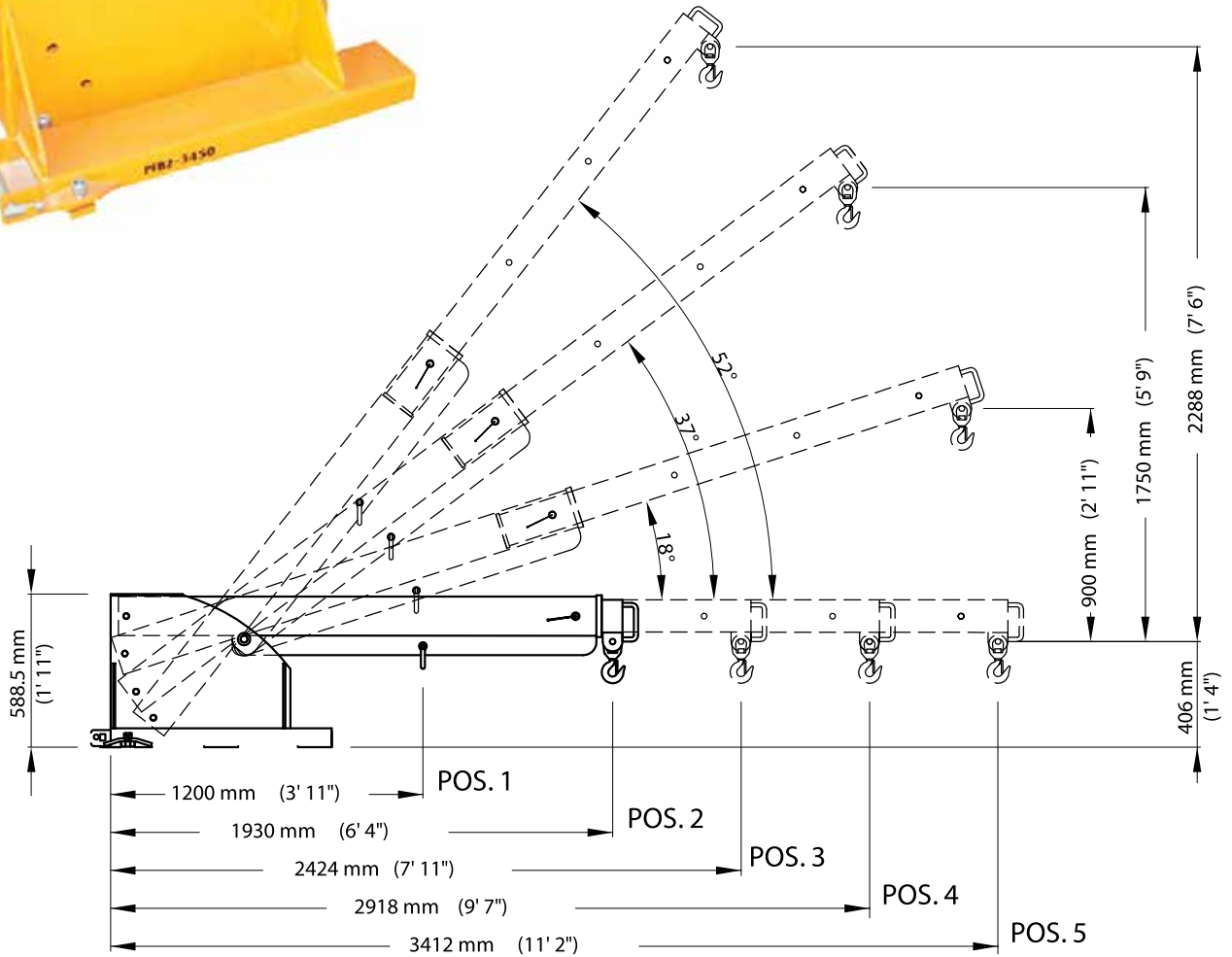
PIVOT FORKLIFT BOOMS



Degree	Hook Positions	Capacity Kgs (lbs)	Degree	Hook Positions	Capacity Kgs (lbs)
0°	POS. 1	2000 (4400)	37°	POS. 1	2000 (4400)
	POS. 2	1500 (3300)		POS. 2	1500 (3300)
	POS. 3	1000 (2200)		POS. 3	1000 (2200)
	POS. 4	500 (1100)		POS. 4	500 (1100)
18°	POS. 1	2000 (4400)	52°	POS. 1	2000 (4400)
	POS. 2	1500 (3300)		POS. 2	1500 (3300)
	POS. 3	1000 (2200)		POS. 3	1000 (2200)
	POS. 4	500 (1100)		POS. 4	500 (1100)



PRODUCT CODE	SLIP ONTO FORKS	FORK POCKETS	MANUALLY TELESCOPES	INCREMENT	WORKING LOAD LIMIT	NET WEIGHT
PFB1-2600	154 X 58 MM	366 MM	1500 - 2600 MM	560 MM	500 - 1500 KG	151 KG



Degree	Hook Positions	Capacity Kgs (lbs)	Degree	Hook Positions	Capacity Kgs (lbs)
0°	POS. 1	3000 (6600)	37°	POS. 1	3000 (6600)
	POS. 2	1500 (3300)		POS. 2	1500 (3300)
	POS. 3	1200 (2640)		POS. 3	1200 (2640)
	POS. 4	900 (1980)		POS. 4	900 (1980)
	POS. 5	600 (1320)		POS. 5	600 (1320)
18°	POS. 1	3000 (6600)	52°	POS. 1	3000 (6600)
	POS. 2	1500 (3300)		POS. 2	1500 (3300)
	POS. 3	1200 (2640)		POS. 3	1200 (2640)
	POS. 4	900 (1980)		POS. 4	900 (1980)
	POS. 5	600 (1320)		POS. 5	600 (1320)



PRODUCT CODE	SLIP ONTO FORKS	FORK POCKETS	MANUALLY TELESCOPES	INCREMENT	WORKING LOAD LIMIT	NET WEIGHT
PFB2-3450	154 X 58 MM	366 MM	1930 - 3412 MM	494 MM	600 - 1500 KG	196 KG

DOUBLE FORKLIFT BOOM

The Aardwolf Double Forklift Boom (DFB2-5000) is a telescoping two section rectangular tube steel boom designed for removing bundles of marble and granite slabs from closed top containers. Thanks to its design, without any impediments between the fork booms, the operator can insert the full length of the booms into the container and bring the load right back to the fork mask, allowing for greater load capacity and more stability.



PRODUCT CODE	THE CONNECTION BAR CAN BE ADJUSTED THE DISTANCE	WORKING LOAD LIMIT	NET WEIGHT
DFB2-5000	320 - 1270 MM	5000 KG	700 KG

Combo Swivel, Chain, Lifting Lug allows flex between the boom and load. Prevents slab breakage when traversing rough terrain. Also allows the Aardwolf lifter to pick low slabs from a racking system.



The FB1 and FB2 are general-purpose telescoping two-section rectangular tube steel booms. They offer versatility with maximum visibility for the driver.



Two-stage low profile design is specifically intended for unloading marble and granite sheets from closed van containers where height is a critical factor.



Bow Shackle 3.0T. General-purpose. Useful in many applications for safe and secure attachments.



Three-stage low profile design specifically intended for unloading marble and granite sheets from closed van containers where height is a critical factor.

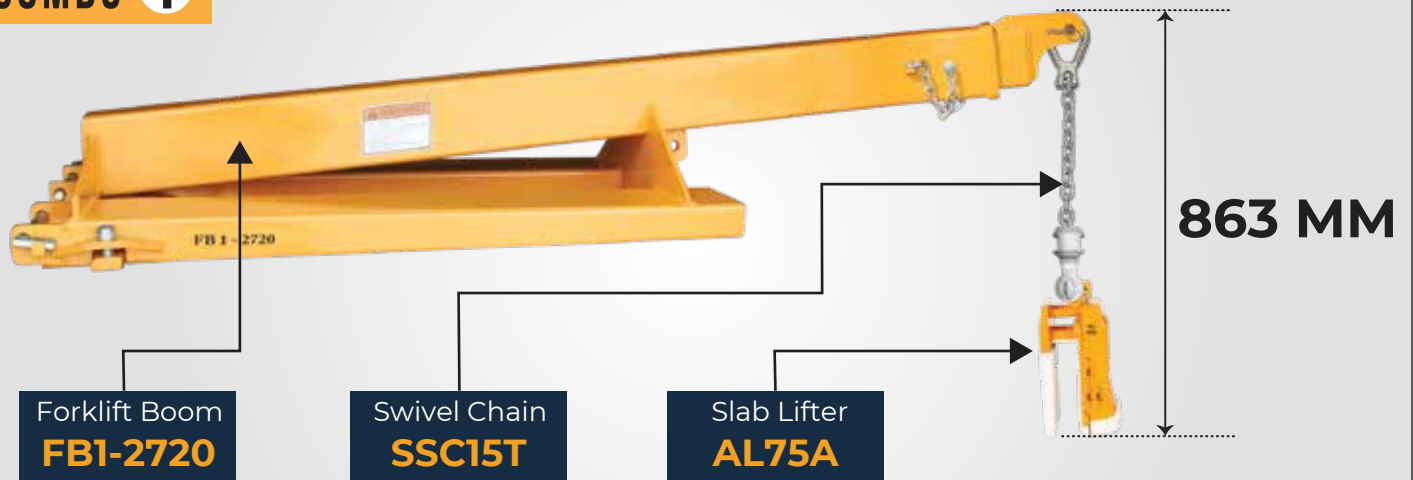


Forged Aluminum swivel shackle attaches directly to the forklift boom and Aardwolf lifting clamp provides maximum lift within a container. It's the most compact combination in the world.



AARDWOLF COMBO BOOM, SWIVEL & LIFTING CLAMP

COMBO 1



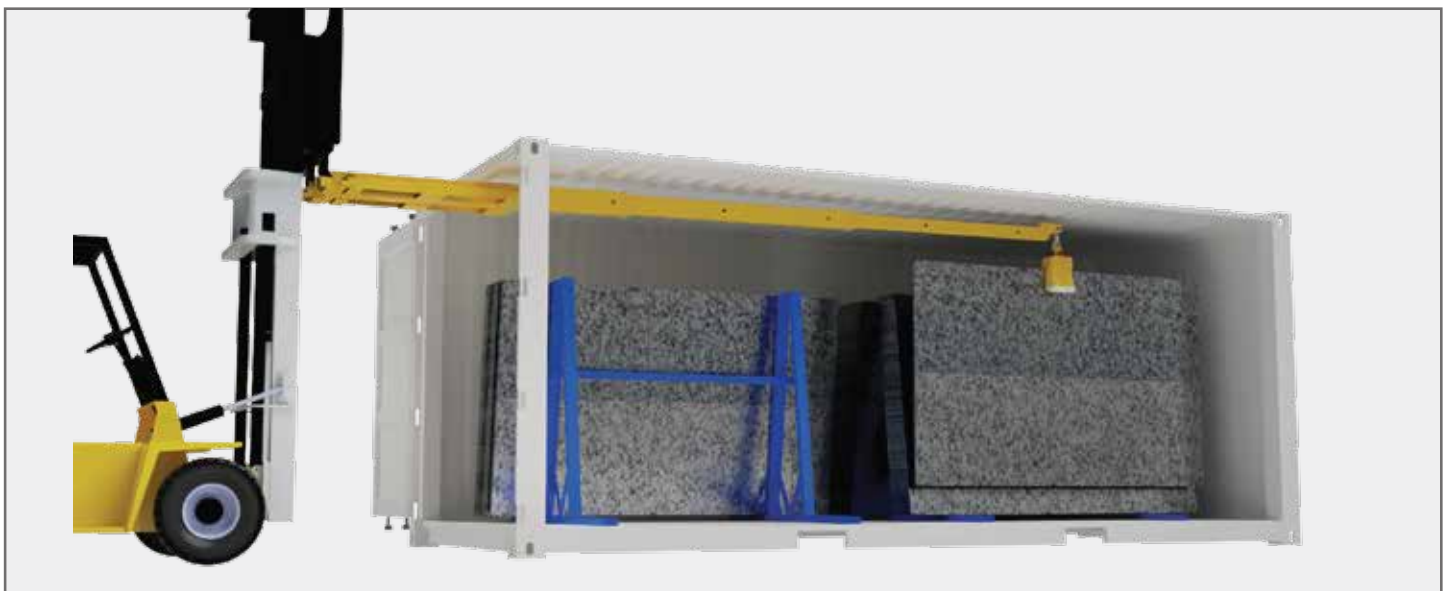
COMBO 2



COMBO 3



Aardwolf Forklift Booms are made from high-grade Australian rectangular tube steel, with a minimum yield strength of 450 Mpa, which ensures strength, reliability and safety. Aardwolf swivel shackles are forged from high strength aluminium (aircraft grade) and are specifically designed for Aardwolf's range of Aardwolf lifting clamps. Aardwolf slab lifting clamps are the most widely used slab lifting clamp in the world today, with a WLL of 1200Kgs. Aardwolf slab lifting clamps were invented, designed, and developed, by Aardwolf's CEO James Corbett.



FORKLIFT ATTACHMENTS & ACCESSORIES

FORKLIFT EXTENSIONS

A fast and efficient way of handling lightweight loads of bulk. The fork blade extensions are invaluable when it comes to loading or unloading material out of the back of pick-up trucks. The fork extensions slide over fork blades and are locked onto fork blades by tightening the two bolts located on the back of each fork extension. They are further restrained by a heel pin, which fits behind the existing fork blades.



PRODUCT CODE	LENGTH	W.L.L	NET WEIGHT
FES-1500	1500 MM	1500 KG	46 KG
FES-2000	2000 MM		62 KG
FES-2500	2500 MM		86 KG
AFE-1500	1500 MM	2500 KG	74 KG
AFE-2000	2000 MM		91 KG
AFE-2500	2500 MM		122 KG

FORK EXTENSIONS TRANSPORTER

Handy gizmo for transporting fork extensions from stored areas to fork trucks and vice versa. Makes mounting the fork extensions an effortless operation for one man.



PRODUCT CODE	NET WEIGHT
FET01	10.5 KG

FORK HOOK ATTACHMENT

The Fork Hook Attachment can be attached with hand screws and a chain. Converts a forklift into a mobile crane in seconds. Welded steel construction.

SINGLE FORK- FHASF1

DOUBLE FORK- FHADF2



PRODUCT CODE	W.L.L	NET WEIGHT
FHASF 1	1500 KG	7.5 KG
FHASF 2	3000 KG	13 KG

TWISTER

Aardwolf has created a new innovative device, the Lifter Twister. The device works with the Aardwolf Slab and Glass Lifters, forklift, truck crane to lift and move stone and glass sheets. The Twister has equipped the remote control and allows the user to independently perform all of the lifting and moving operations safer, faster, and more convenient without the assistance of a handler on the ground. From the forklift, the user can observe and manipulate the slab's movement by using the remote control to with one hand.



PRODUCT CODE	WORKING LOAD LIMIT	NET WEIGHT
MSS	1200 KG	31 KG

BOW SHACKLE & SWIVEL



BOW SHACKLE



SWIVEL HOOK (ALLOY STEEL)



FORGED ALUMINIUM SWIVE SS15T



COMBO SWIVEL CHAIN LIFTING LUG SSC15T

COLLAPSIBLE SAFETY CAGE

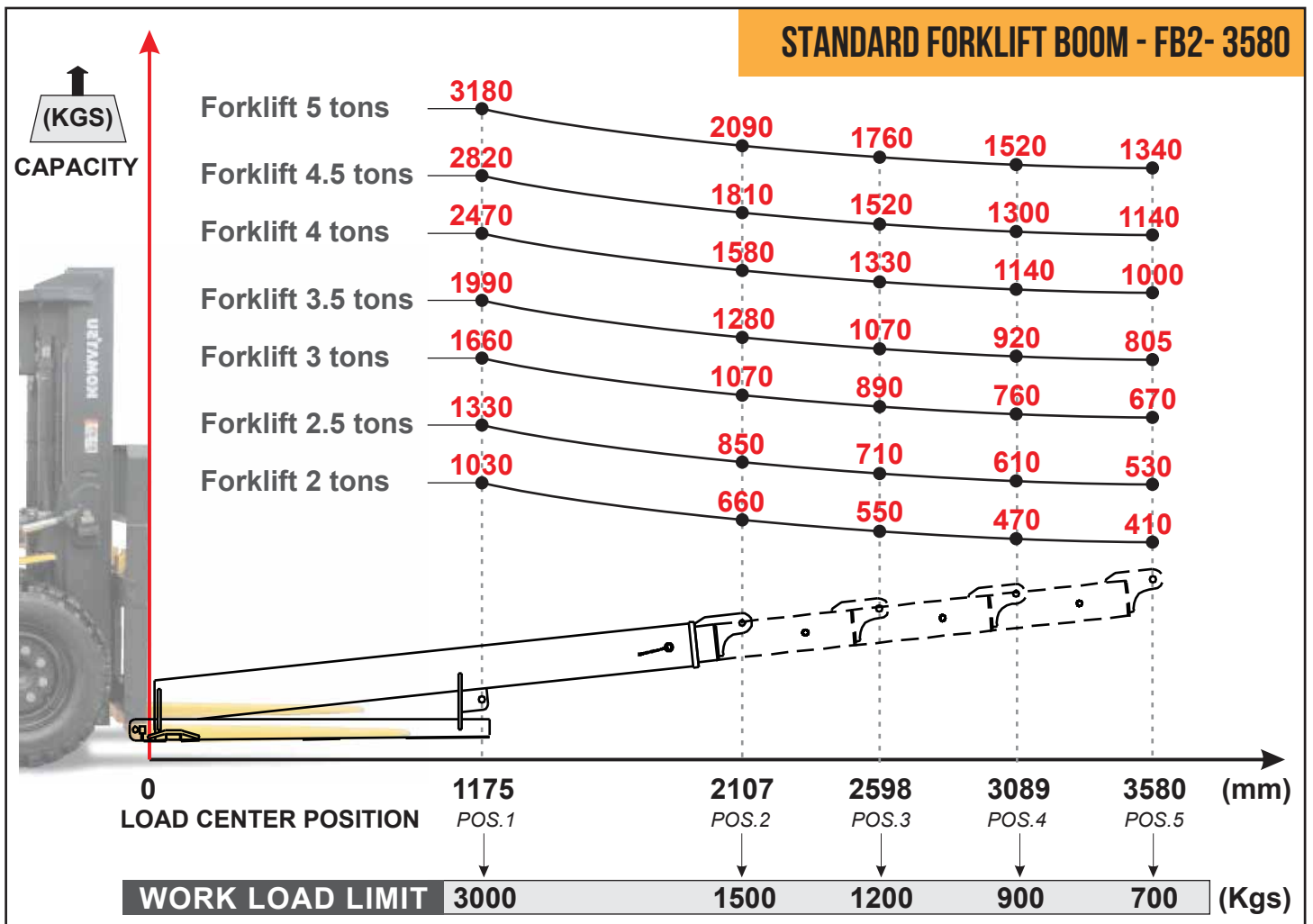
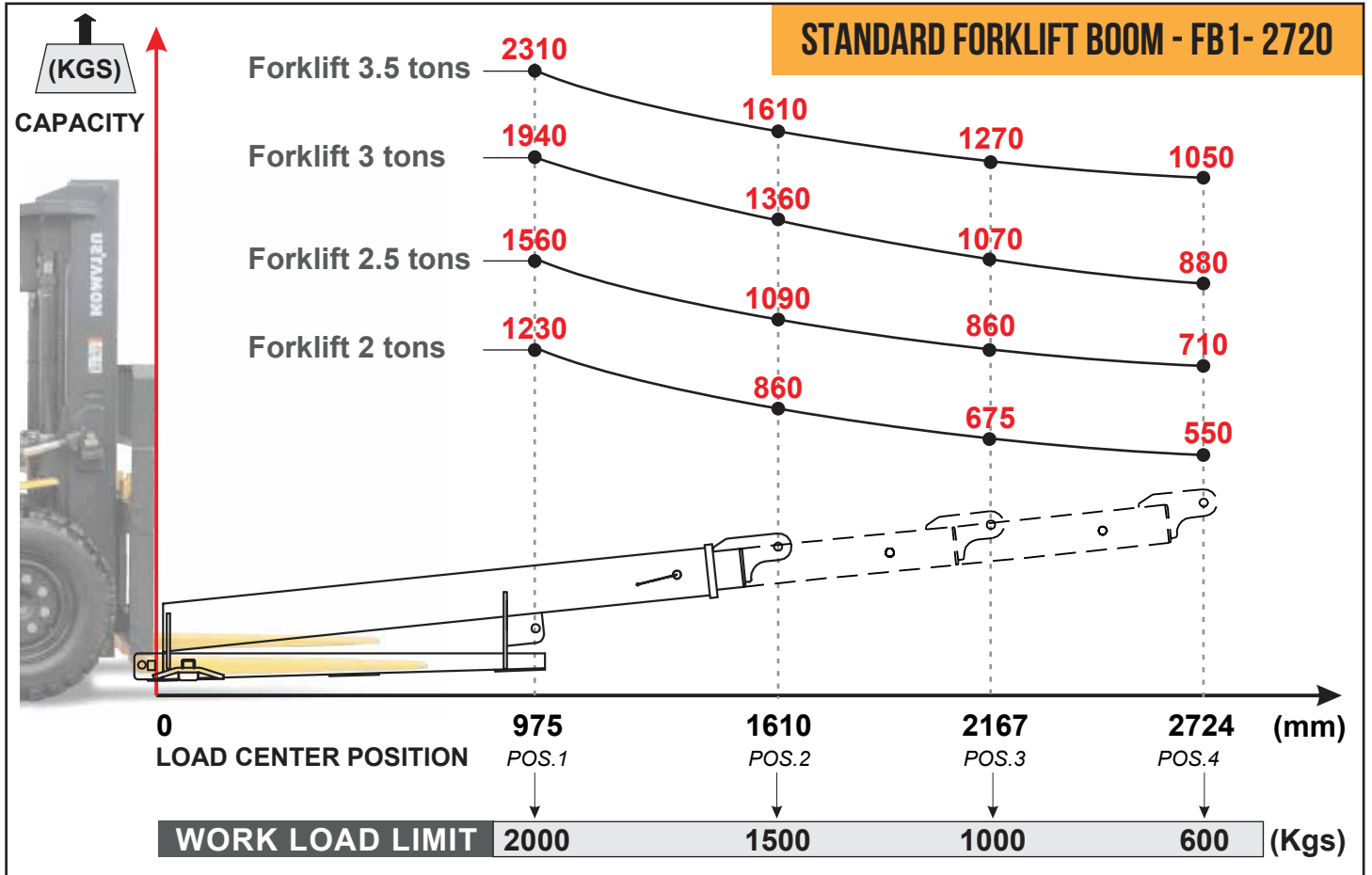


Designed for freighting and storage, the easy to assemble safety cage comes partly assembled only. The safety cage attaches securely to the forks of the forklift using two safety pins. Pins lock the safety cage tightly into place behind the heels of each of the forks.

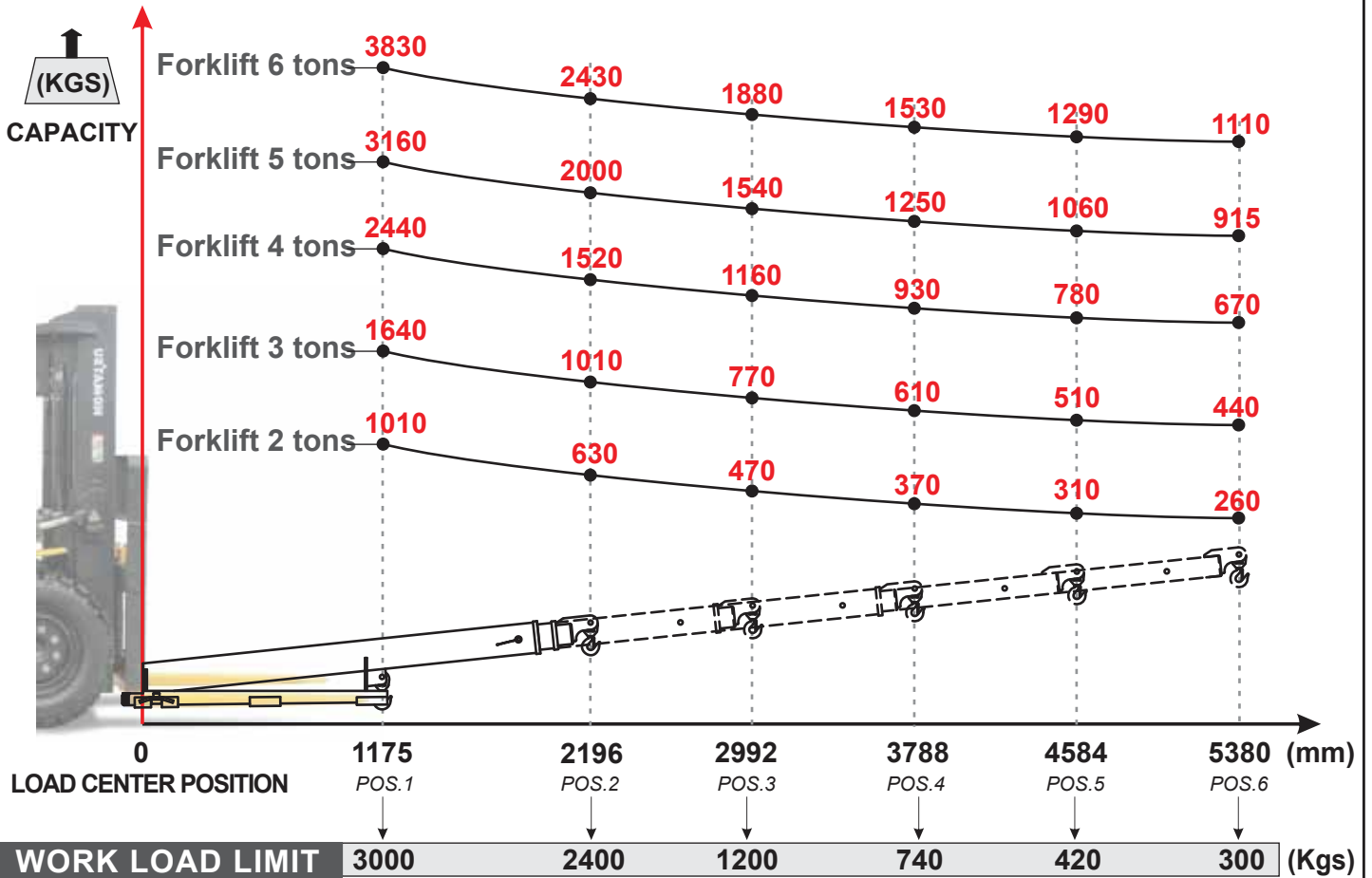
PRODUCT CODE	WORKING LOAD LIMIT	NET WEIGHT
ACSC	250 KG	155 KG
BS13T	1500 KG	0.2 KG
BS30T	3250 KG	
SS15T	1500 KG	0.5 KG
SSC15T		1.5 KG
SH15T		0.6 KG
SH30T	3000 KG	1.4 KG
SH70T	7000 KG	4 KG



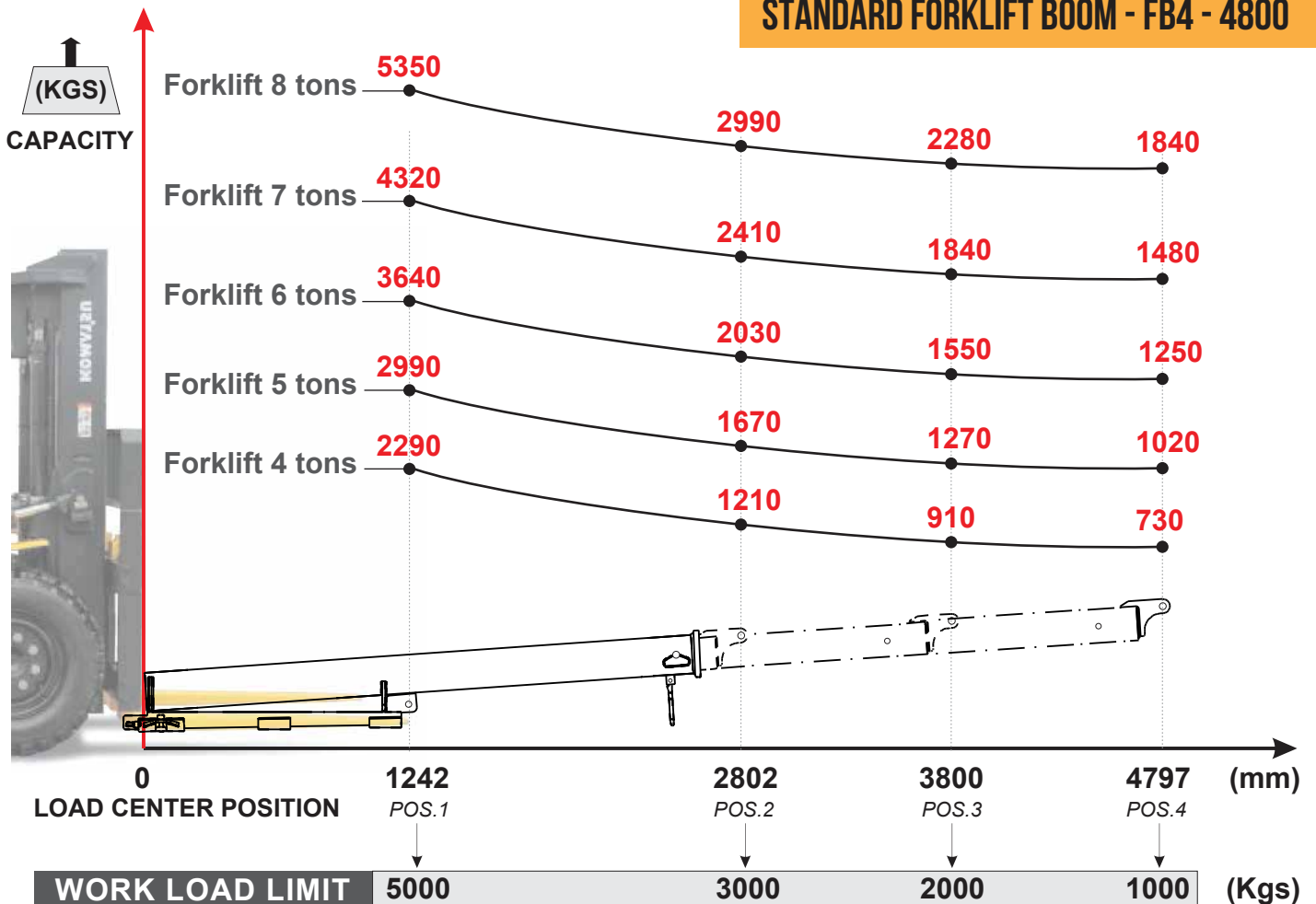
LOAD CAPACITY CHARTS

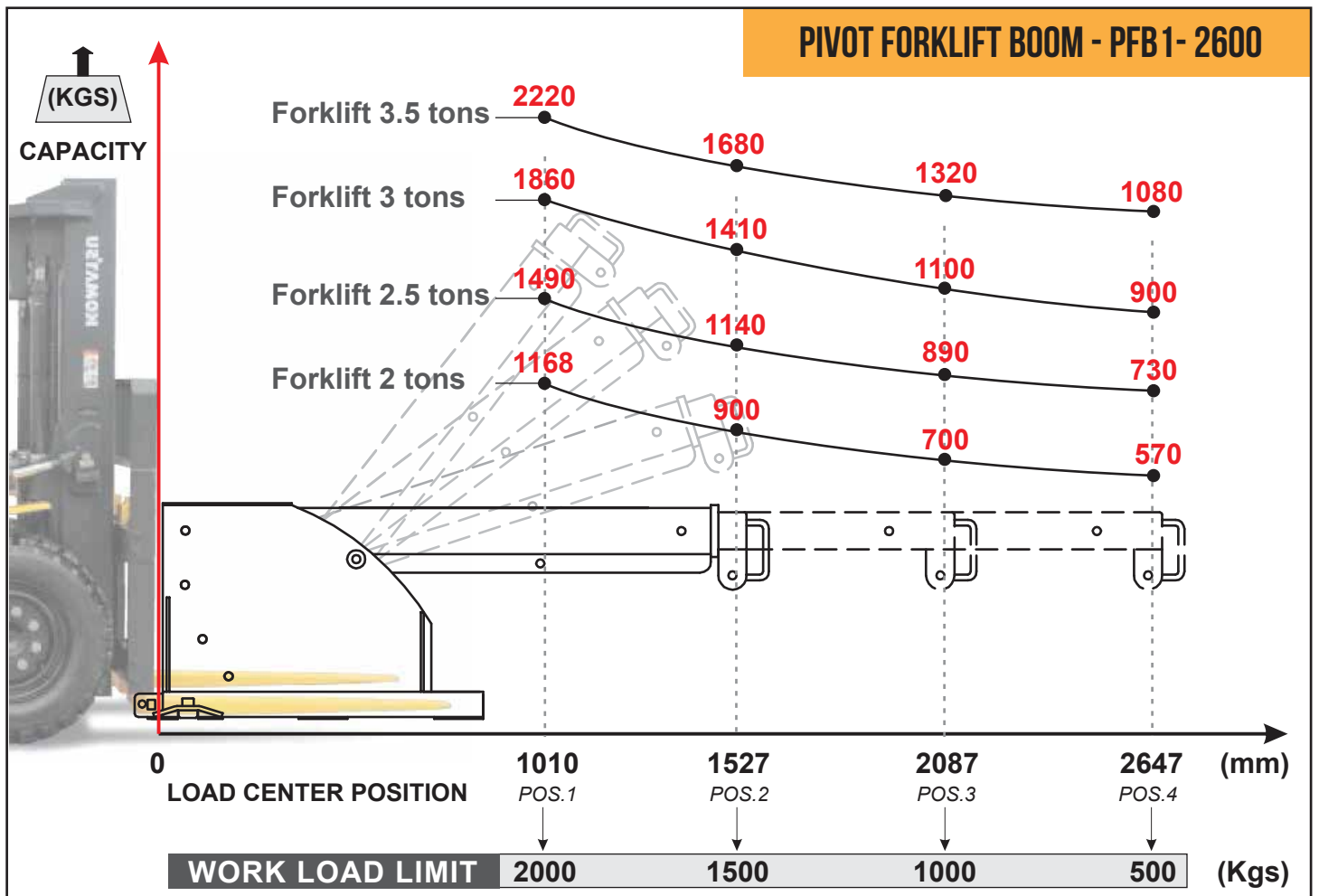
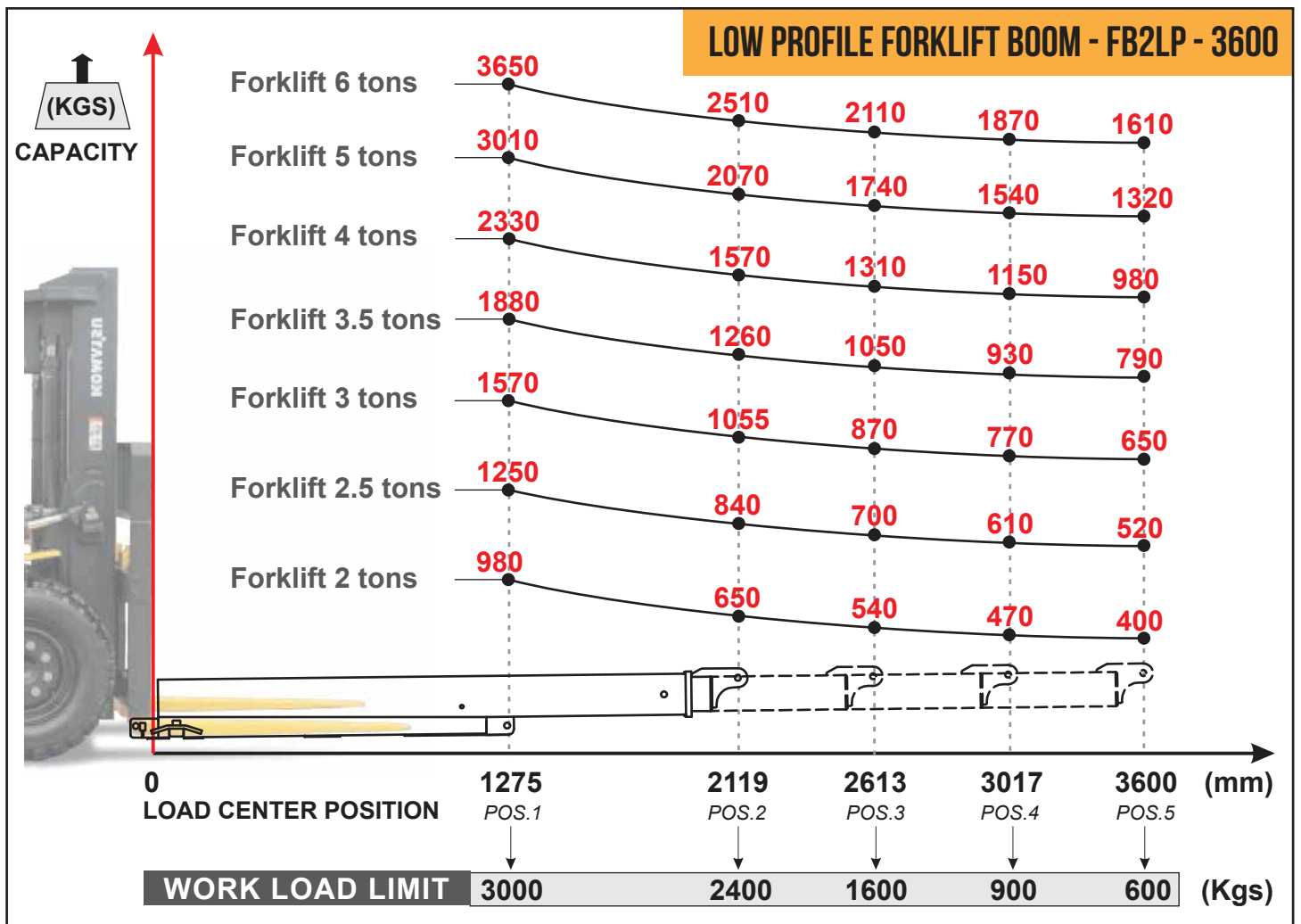


STANDARD FORKLIFT BOOM - FB3- 5380

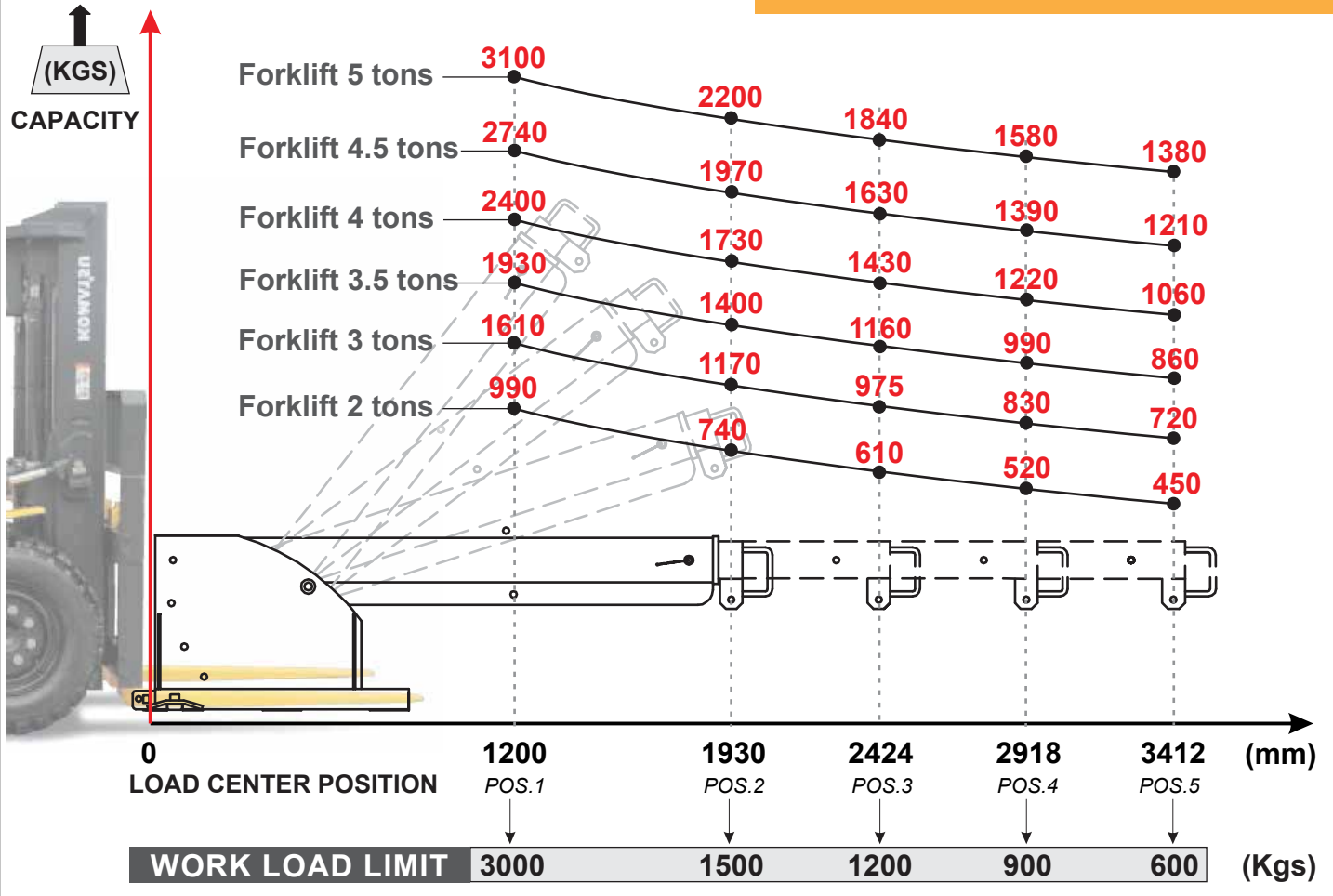


STANDARD FORKLIFT BOOM - FB4 - 4800

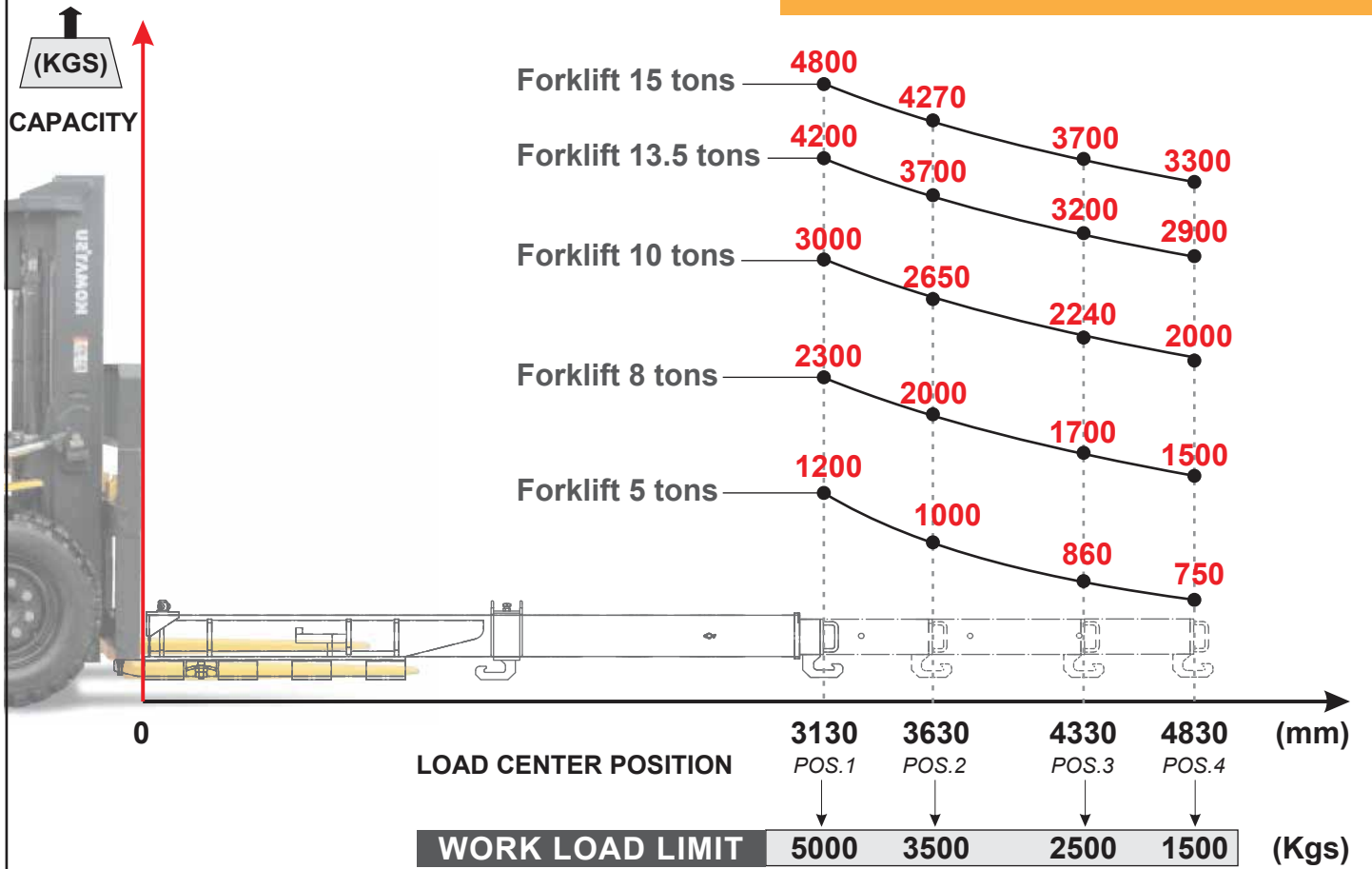




PIVOT FORKLIFT BOOM - PFB2 - 3450



DOUBLE FORKLIFT BOOM - DFB2-5000





WE ARE PROVIDING

SIMPLE, REALIABLE, COST SAVING
AND AWESOME IDEAS FOR YOUR BUSINESS



AARDWOLF PRODUCT VIDEO
www.youtube.com/user/AardwolfGroup



FIND YOUR NEAREST AARDWOLF FACTORY SERVICE CENTRE NEAR YOU

AUSTRALIA

1/5 Stanton Road, Seven Hills NSW 2147

Tell: 02 9838 8427

www.aardwolfaustralia.com **Email:** enquiries@aardwolfaustralia.com

BULGARIA Str.Usta Kolio Ficheto 33 **Tell:** +359 887 933 754

INDIA

Harama Road, Industrial area, Madanganj, Kishangarh, Rajasthan n India
Pin no. 305801 **Mob:** +91 73000-68444 **Tell:** +91 9358448474

Web: www.aardwolf.co.in **Email:** sales@aardwolf.co.in

GERMANY

Schulze-Delitzsche Weg 2, 33175 Bad Lippspringe

Tell: 05252 8382830

USA

19201 South Reyes Avenue, Suite A3 Rancho Dominguez California,

Tell: (562) 553-6050

90221

Web: www.aardwolfusa.com

Email: leo@aardwolfusa.com

VIETNAM

1B, An Phu, Thuan An City, Binh Duong Province, Vietnam

Tell: +84 931 707 793

Web: www.aardwolf.com.au

Email: info@aardwolf.com.au